

35-Ft Whip Antenna V-132, V-132 FT

A rugged, self-supporting 35-foot broadband HF whip antenna designed for high-power tactical and naval applications, including Electronic Countermeasure (ECM) systems.



BROADBAND COVERAGE

Operates from 1.6 MHz – 30 MHz with tuner



HIGH POWER HANDLING

Supports up to 5000 W average RF power



WEATHERPROOF CONSTRUCTION

Fiberglass construction, epoxy polyamide paint



SHIPBOARD ANTENNAS

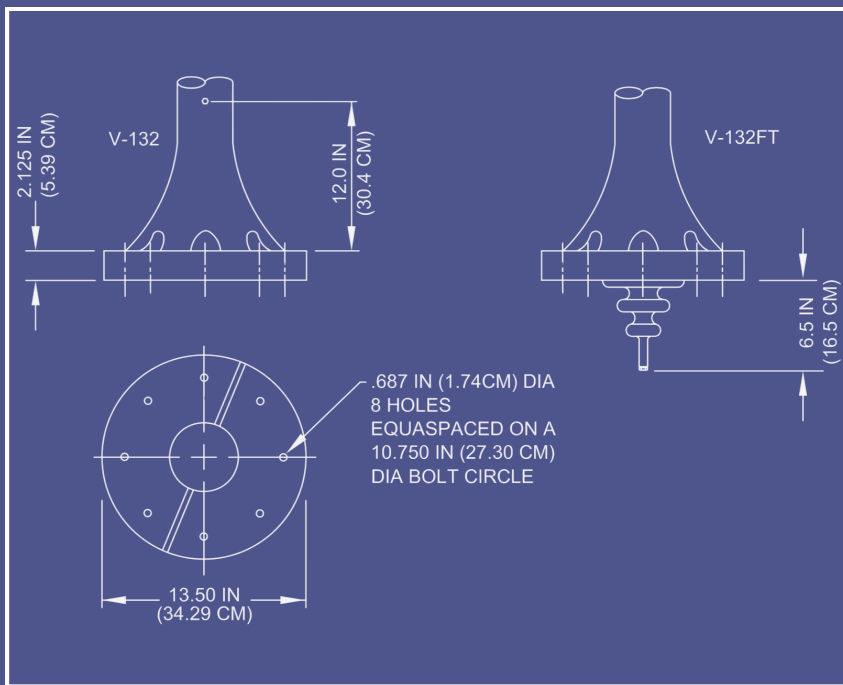
Intended for shipboard and marine environments



V-132

35-Ft Whip Antenna
V-132, V-132 FT

PN: V-132 or V-132FT



KEY CHARACTERISTICS

V-132

Frequency Range (with tuner) 1.6 MHz to 30 MHz

Power 5 KW

Height 35ft

Weight 146 lbs

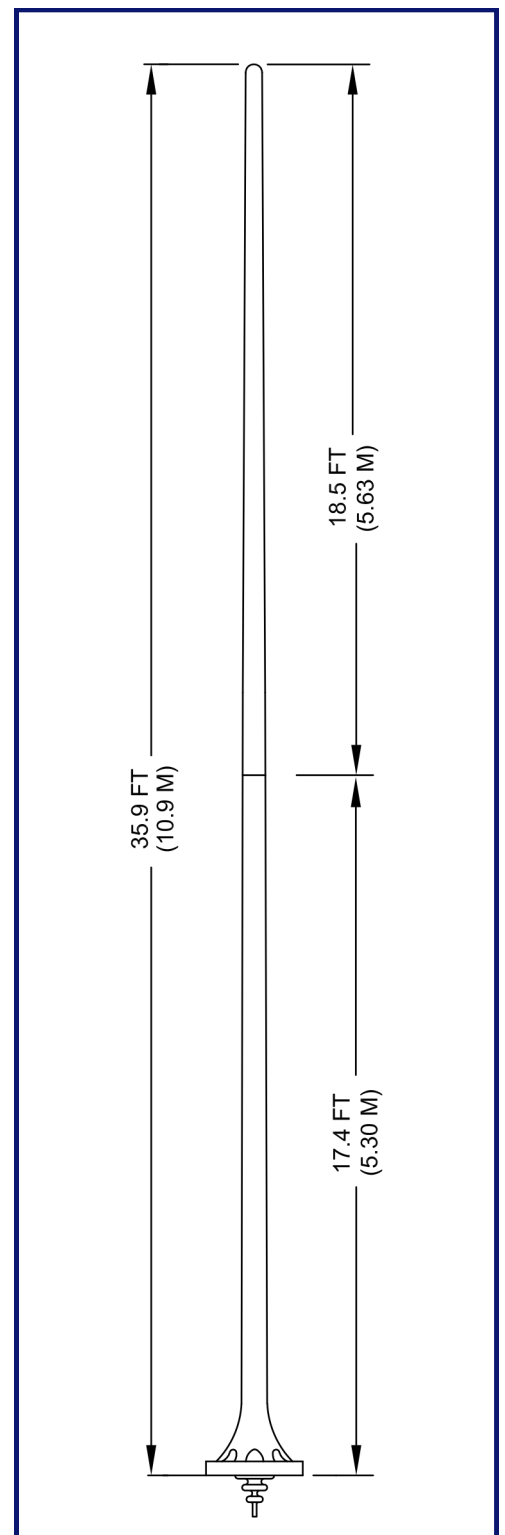
VSWR Determined by tuner

Polarization Vertical

Azimuth Coverage Omnidirectional

Integral Base / Insulator Epoxy Fiberglass

The V-132 is a rugged, vertically polarized whip antenna designed for wideband transmit and receive in military, commercial, and marine applications.



IDEAL FOR:

- Shipboard and marine communications
- Military and defense communication systems
- Harsh environmental conditions