

## 18 Foot 6 Inch Broadband HF Tactical Whip Antenna

The VBBA2-30-18 is an 18 ft broadband HF antenna built for rugged tactical and shipboard use. It covers 5–30 MHz without tuning, offering reliable, high-power, maintenance-free performance in harsh environments.



### **BROADBAND COVERAGE**

Operates from 5 MHz to 30 MHz with no tuner required



### **DURABILITY AND RELIABILITY**

Durable fiberglass and aluminum build withstands 140 MPH winds, ice, and MIL-STD shock



### **RECEIVE AND TRANSMIT**

Designed for full TX/RX functionality across the broadband HF range



### **SHIPBOARD ANTENNAS**

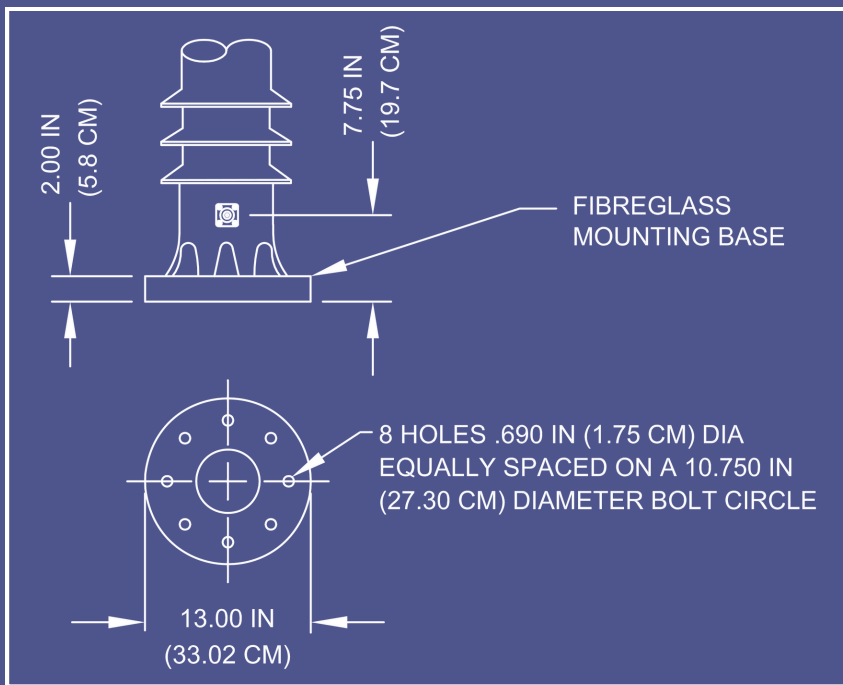
Fully compatible with AS-3773B/U systems and uses the standard naval base mount pattern



## **VBBA2-30-18**

18 Foot 6 Inch Broadband HF Tactical Whip Antenna

*PN: VBBA2-30-18*



## KEY CHARACTERISTICS

**VBBA2-30-18**

Frequency Range (no tuner)

5 MHz – 30 MHz

Power

2.0 KW

Height

18 ft 1 in

Weight

200 lbs

VSWR

< 2.25:1

Polarization

Vertical

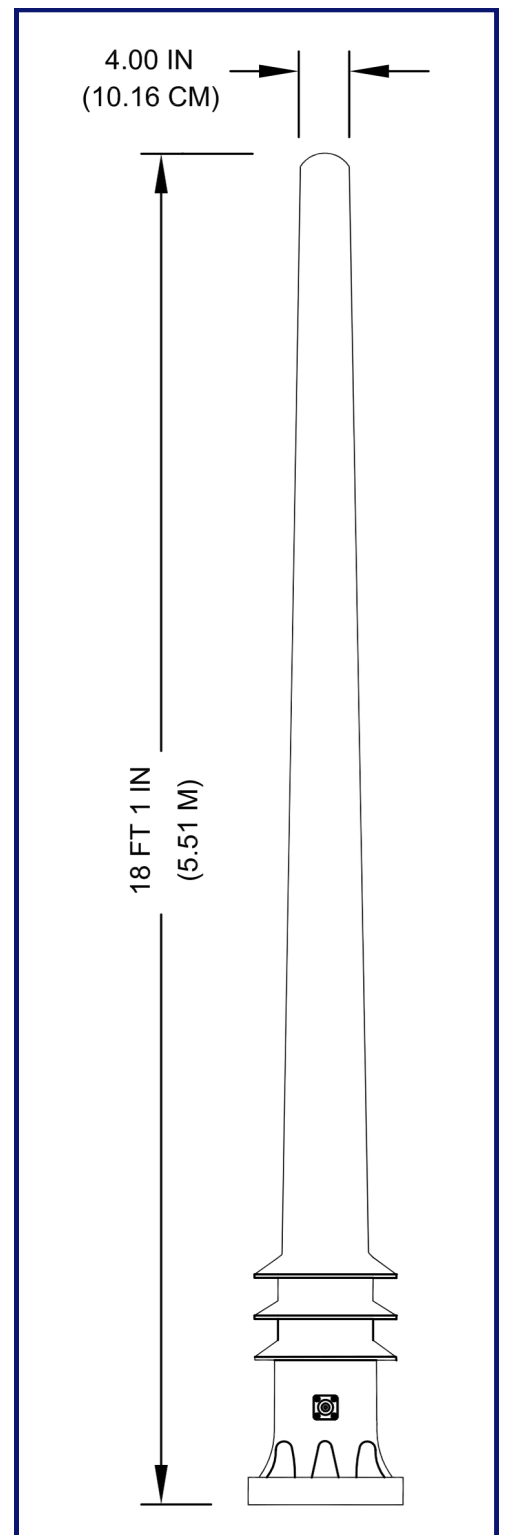
Azimuth Coverage

Omnidirectional

Integral Base / Insulator

Epoxy  
Fiberglass

*The VBBA2-30-18 is a vertically polarized, omnidirectional HF whip antenna for transmit/receive use in tactical and shipboard settings. Built for durability and wideband performance, it's compatible with AS-3773B/U mounts.*



## IDEAL FOR:

- Systems using AS-3773B/U mount interfaces
- Broadband HF transmit/receive applications
- Rapid deployment in harsh environments