

UHF Antenna

A compact, lightweight, and rugged UHF ground plane antenna designed for shipboard applications. Covering 220–400 MHz, it delivers reliable transmit and receive performance with excellent omni-directional coverage and high power handling capability.



BROADBAND COVERAGE

Operates from 220 – 400 MHz with no tuner required



HIGH POWER HANDLING

Supports up to 200 W average RF power



WEATHERPROOF CONSTRUCTION

Built with haze grey epoxy polyamide finish



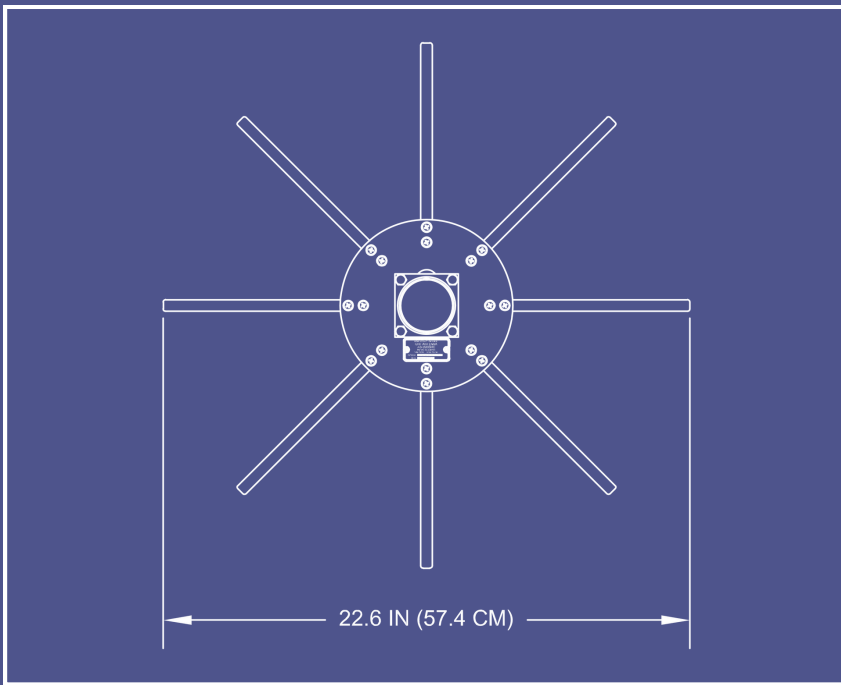
SHIPBOARD ANTENNAS

Built to meet Navy requirements



AS-390/SRC

UHF Antenna



KEY CHARACTERISTICS

AS-390/SRC

Frequency Range (no tuner) 220 – 400 MH

Power 200 Watts

Height 18 in

Weight 3.6 lbs

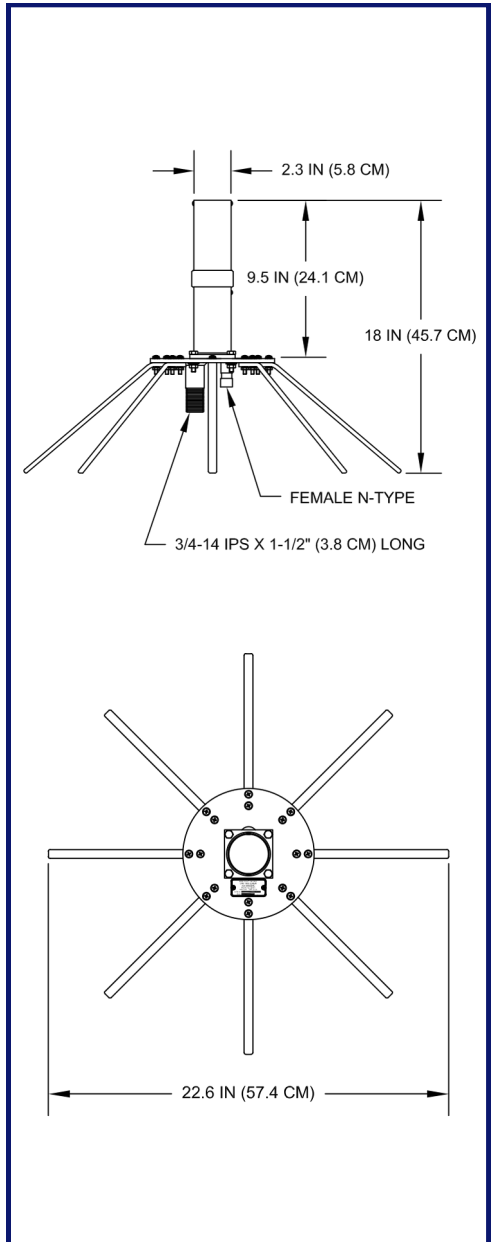
VSWR 2.0:1

Polarization Vertical

Azimuth Coverage Omnidirectional

Finish Haze grey epoxy polyamide

This antenna provides dependable broadband UHF communication for naval and maritime environments. With its durable, weatherproof construction and compliance with MIL-S-901 and MIL-STD-167 standards, it is built to perform in the most demanding shipboard conditions.



IDEAL FOR:

- Shipboard UHF communications
- Harsh maritime environments
- Military and naval applications
- Reliable transmit and receive operations
- Compact and lightweight installations
- High-reliability systems requiring lightning protection