

Around-the-Mast UHF Antenna

Rugged, vertically polarized broadband antenna covering 225–400 MHz. Designed for shipboard use, this lightweight aluminum antenna mounts around masts 4–12" in diameter (up to 15" optional). Ideal for transmit or receive operations in harsh environments.



BROADBAND COVERAGE

Operates from 225–400 MHz with no tuner required



HIGH POWER HANDLING

Supports up to 1000 W average RF power



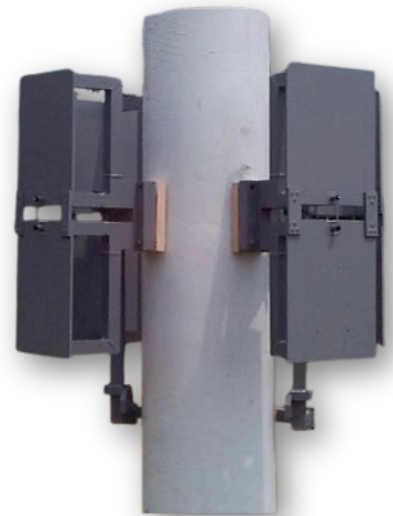
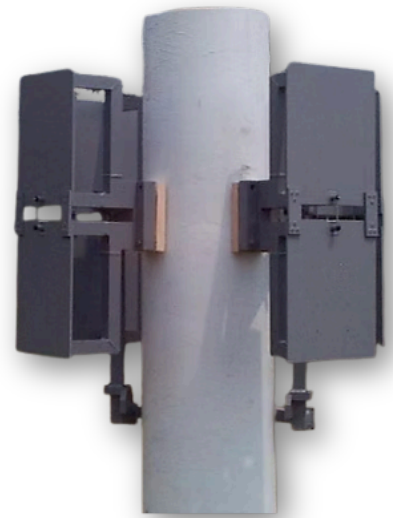
WEATHERPROOF CONSTRUCTION

Resists harsh weather and electrical surges.



SHIPBOARD ANTENNAS

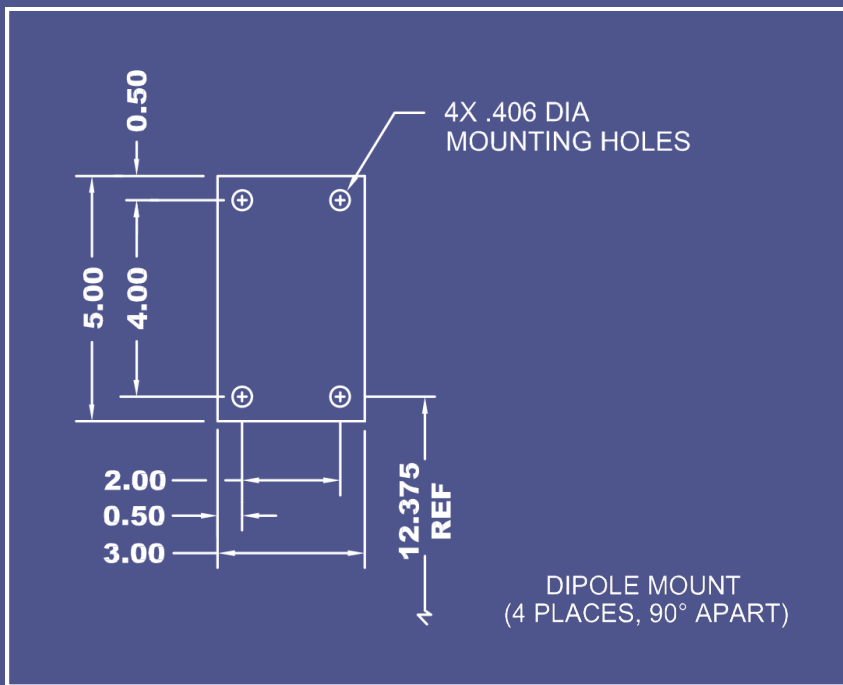
Built to meet Navy requirements



AS-1735/SRC

Around-the-Mast UHF Antenna

NSN: 5985-00-127-3306



KEY CHARACTERISTICS

AS-1735/SRC

Frequency Range (no tuner) 225–400 MHz

Power 1 KW

Height 28.25 in

Weight 31 lbs

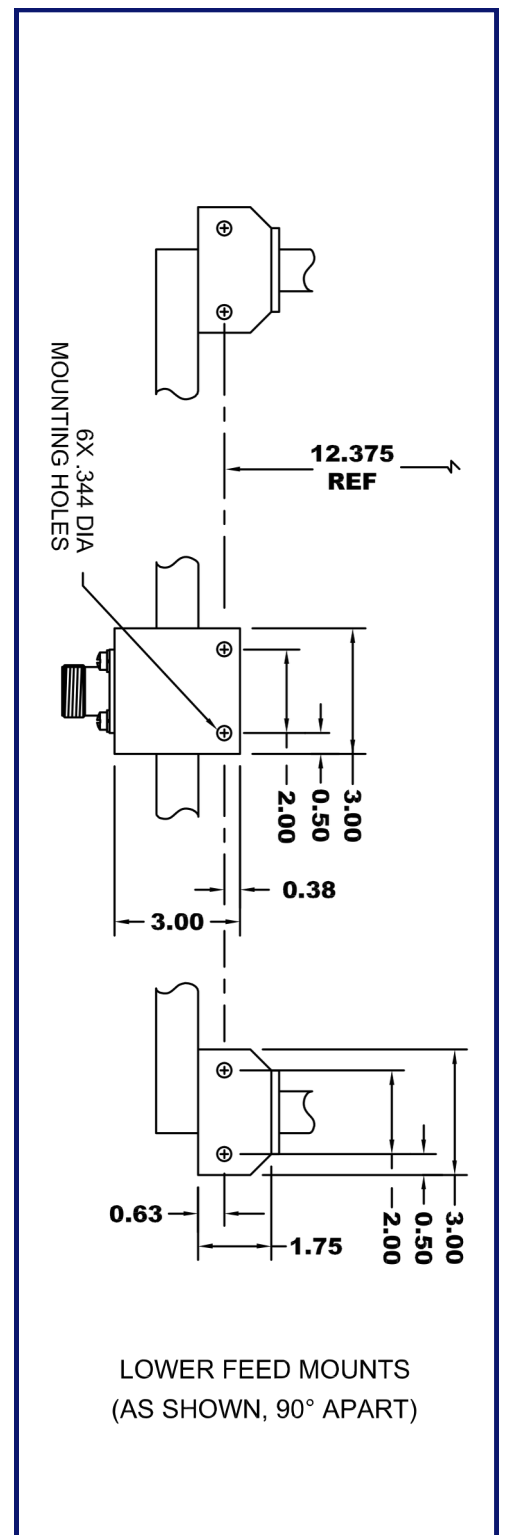
VSWR less than 1.8:1

Polarization Vertical

Azimuth Coverage Omnidirectional

Finish Epoxy polyamide paint, haze grey

A broadband UHF antenna designed for shipboard mast installations. With omnidirectional performance, high power handling, and no tuning required, it ensures reliable communication in harsh marine environments.



IDEAL FOR:

- Shipboard communications systems
- Harsh naval or maritime environments
- UHF transmit and receive operations