

## Wide Spectrum Multi-Band Antenna

The Valcom VECM-16000 Wide Spectrum Multi-Band Antenna is a rugged, broadband vehicular whip antenna designed to cover multiple frequency bands across VHF, UHF, and SHF. Ideally suited for advanced communications and countermeasure systems, it delivers reliable performance in mission-critical environments.



### BROADBAND COVERAGE

Operates from 100 MHz to 6000 MHz with no tuner required



### HIGH POWER HANDLING

Handles up to 100 W (100–999 MHz) and 50 W (1–6 GHz) average RF power



### WEATHERPROOF CONSTRUCTION

Rugged fiberglass envelope, built to withstand harsh conditions



### VEHICULAR APPLICATIONS

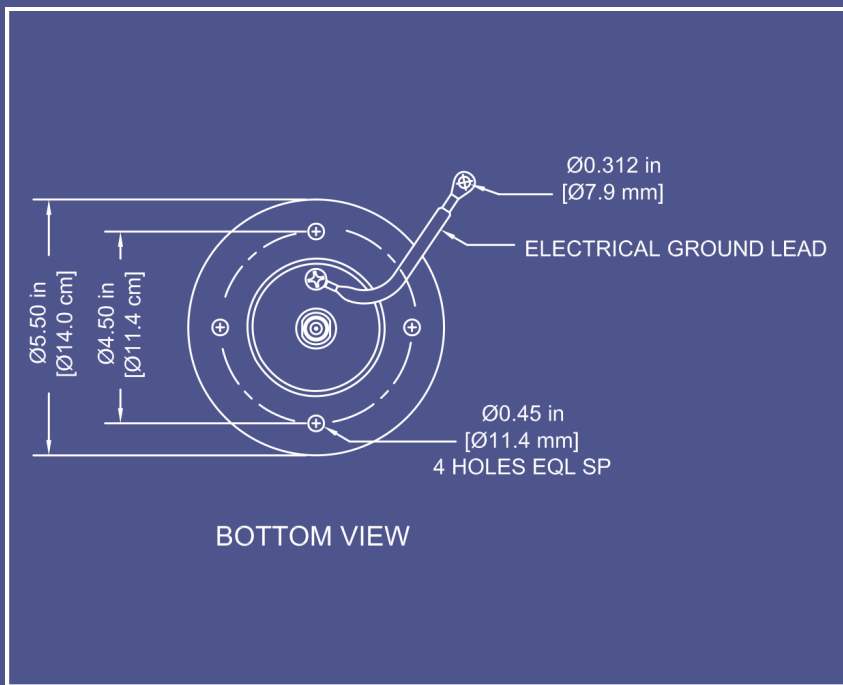
While primarily vehicular, its rugged and wideband design makes it adaptable for shipboard applications with proper mounting



## VECM-16000

Wide Spectrum Multi-Band Antenna

PN: VECM-16000

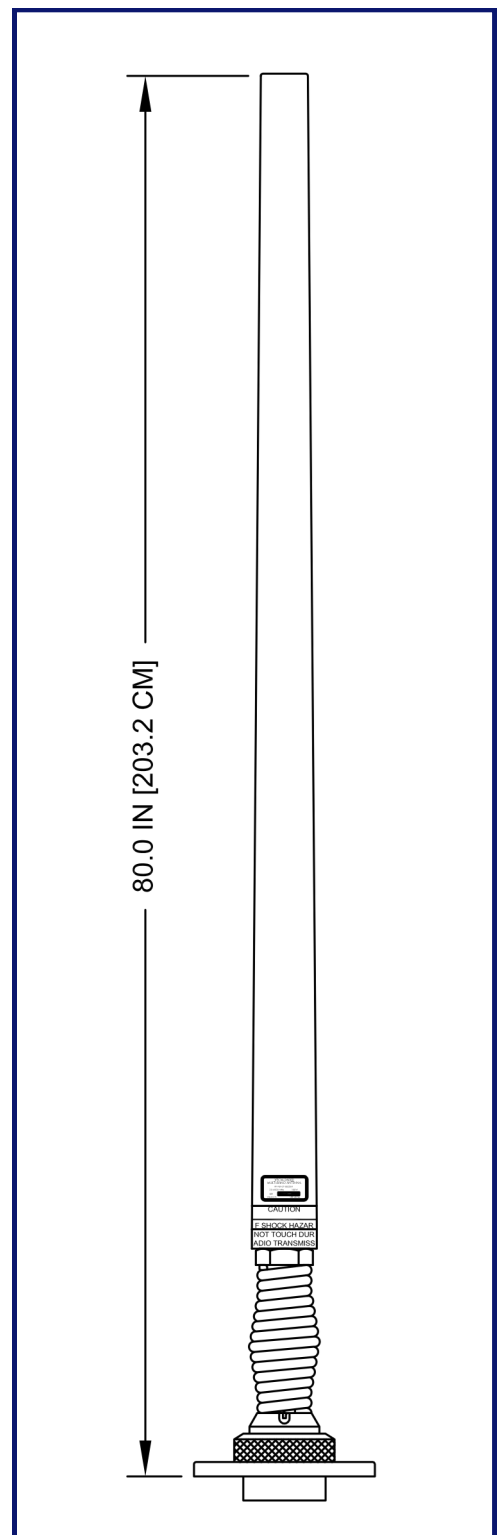


## KEY CHARACTERISTICS

### VECM-16000

Frequency Range (no tuner)	100 MHz – 6000 MHz
Power	0.05 KW - 0.1 KW
Height	80 in
Weight	15 lbs
VSWR	3.0:1
Polarization	Vertical
Azimuth Coverage	Omnidirectional
Integral Base / Insulator	Not specified

*The VECM-16000 Wide Spectrum Multi-Band Antenna is an all-in-one communications solution designed for harsh operational environments. With rugged construction, wideband capability, and reliable performance, it delivers the durability and versatility demanded by modern defense and security missions.*



## IDEAL FOR:

- Electronic countermeasure (ECM) systems
- Mission-critical multi-band operations
- Military and defense communications
- Vehicular and shipboard platforms