

# 65-Foot Whip Antenna

The V-33065 Series is a durable 65-foot fiberglass whip antenna for broadcasting, civil defense, and marine use. Built for harsh conditions, it offers stable performance, easy installation, and low maintenance.



## **BROADBAND COVERAGE**

Operates from 500 kHz to 30 MHz with a tuner



## **DURABILITY AND RELIABILITY**

Built from durable fiberglass with protective coating and strong bronze joints for lasting performance.



## **WEATHERPROOF CONSTRUCTION**

Built for harsh weather with epoxy fiberglass base



## **SHIPBOARD ANTENNAS**

Ideal for reliable shore-to-ship and marine use in harsh conditions.

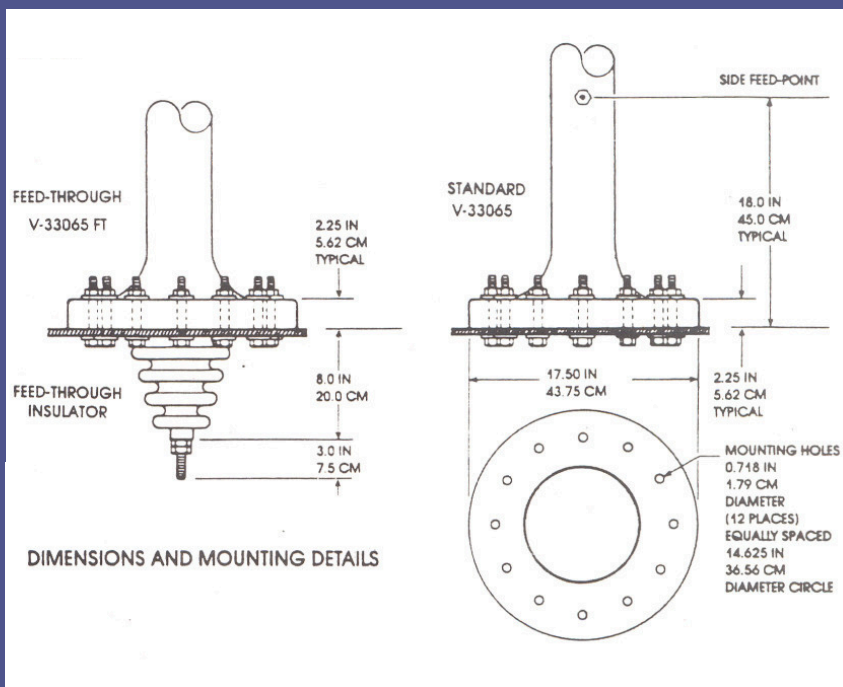
U.S. Patents: 5,275,544



**V-33065**

65-Foot  
Whip Antenna

*PN: V-33065*



## KEY CHARACTERISTICS

### V-33065

Frequency Range (with tuner) 500 kHz – 30 MHz

Power 5.0 KW

Height 65.7 ft

Weight 253 lbs

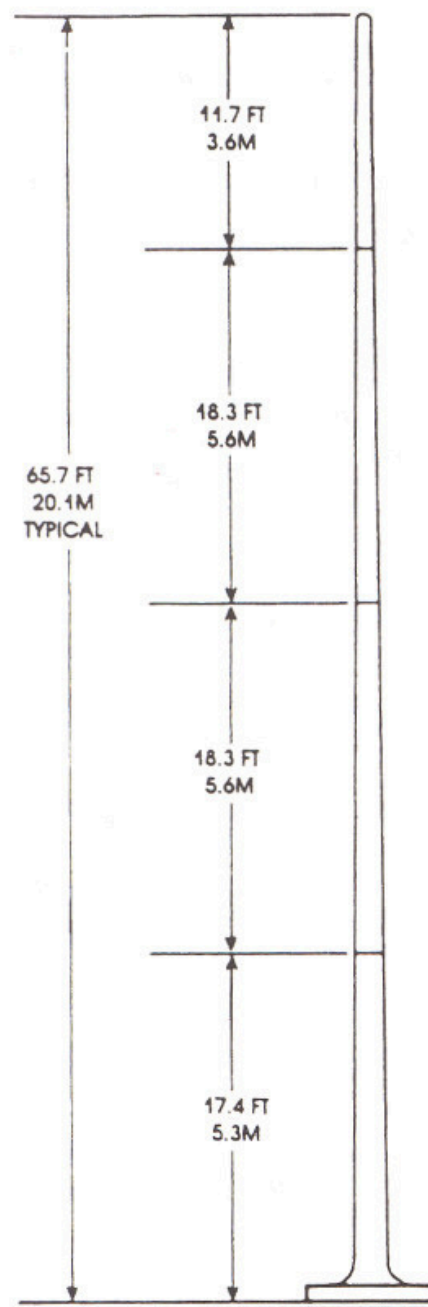
VSWR Not specified

Polarization Vertical

Azimuth Coverage Omnidirectional

Integral Base / Insulator Epoxy Fiberglass

*The V-33065 Series are rugged MF fiberglass whips designed for reliable use in tough environments. Ideal for broadcasting, defense, and marine use with low maintenance and stable performance.*



### IDEAL FOR:

- Ground-to-air and civil defense systems
- Permanent or mission-critical installations
- Extreme weather environments