

Wide Spectrum Multi-Band Antenna

The VECM-26000 is a rugged, wideband vehicular whip antenna (20 MHz – 6 GHz) designed for high-performance VHF, UHF, and SHF use. Ideal for tactical communications and electronic countermeasures in demanding environments.



BROADBAND COVERAGE

Operates from 20 MHz to 6 GHz with no tuner required



DURABLE

DURABILITY AND RELIABILITY

Rugged fiberglass design with internal matching networks for reliable performance in harsh conditions



WEATHERPROOF CONSTRUCTION

Designed for vehicular or exposed mount environments



VEHICULAR APPLICATIONS

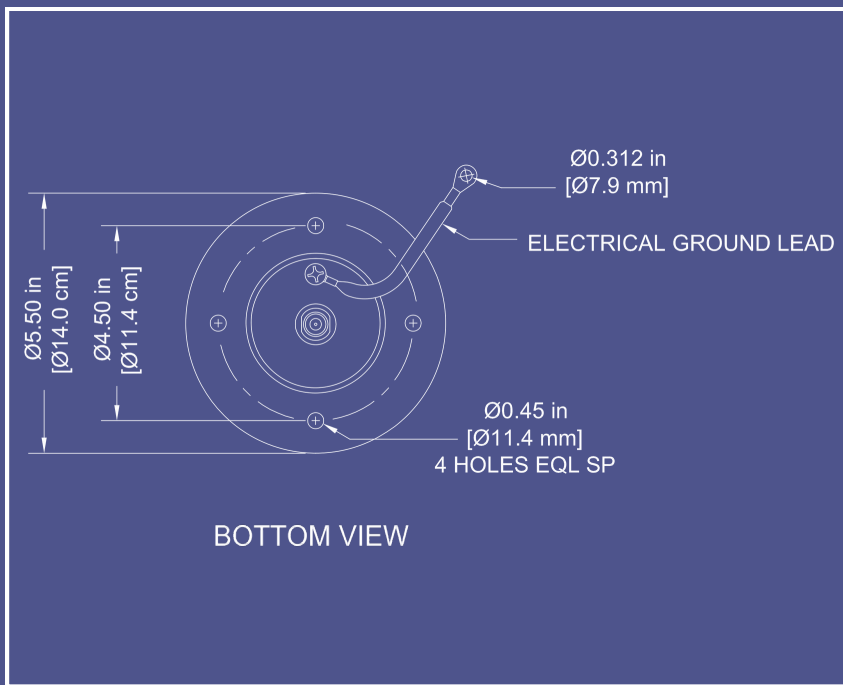
Wideband (20 MHz – 6 GHz) antenna for tactical vehicles, featuring a compact, durable design and shock-resistant mount for reliable on-the-move performance



VECM-26000

SATCOM-ON-THE-MOVE

PN: VECM-26000

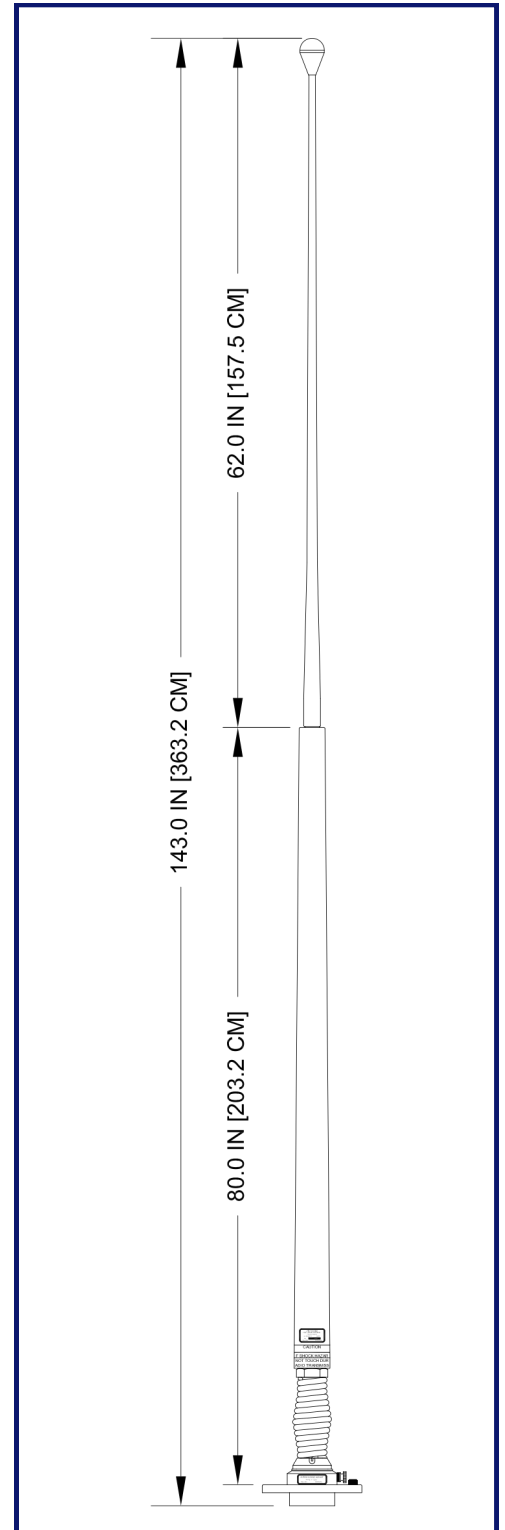


KEY CHARACTERISTICS

VECM-26000

Frequency Range (no tuner)	20 MHz – 6000 MHz
Power	0.1 KW
Height	143 in
Weight	16.5 lbs
VSWR	3.5:1
Polarization	Vertical
Azimuth Coverage	Omnidirectional
Integral Base / Insulator	Epoxy Fiberglass

The VECM-26000 is a rugged, stacked dipole-style vehicular whip antenna with internal matching networks and a modular two-piece design. Optimized for wideband operations and high durability, it supports a range of communications and electronic warfare needs without requiring multiple antennas.



IDEAL FOR:

- Vehicular or mobile electronic countermeasure systems
- Replacing multiple antennas with a single wide-spectrum solution
- Ground vehicles, potentially adaptable to shipboard or fixed installations