

## SATCOM-ON-THE-MOVE

The Valcom VSAT-2432-SB is a rugged, omnidirectional SATCOM antenna for shipboard use, delivering reliable low-horizon satellite communication across 240–320 MHz in harsh marine environments.



### BROADBAND COVERAGE

Operates from 240 MHz to 320 MHz with no tuner required



DURABLE

### DURABILITY AND RELIABILITY

Built for durability and reliability with weatherproof, salt-proof construction and MIL-S-901/MIL-STD-167 compliance



### WEATHERPROOF CONSTRUCTION

Salt-proof and ruggedized for marine environments



### SHIPBOARD ANTENNAS

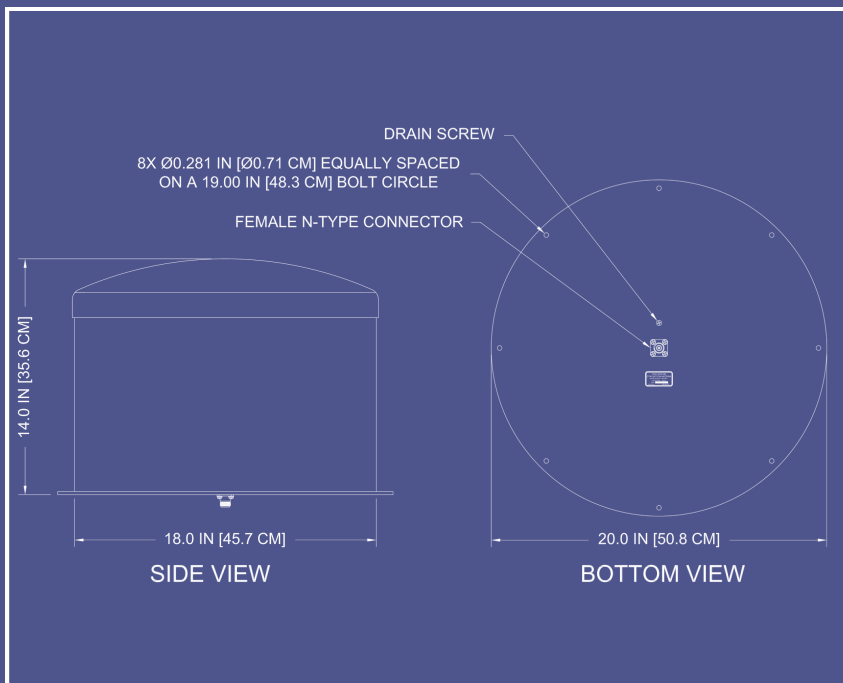
Specifically designed for shipboard SATCOM-on-the-move use and excellent for low-horizon satellite communication in marine conditions



**VSAT-2432-SB**

SATCOM-ON-THE-MOVE

*PN: VSAT-2432-SB*



## KEY CHARACTERISTICS

### VSAT-2432-SB

Frequency Range (no tuner)	240 MHz – 320 MHz
Power	0.05 KW
Height	14.0 in
Weight	21.5 lbs
VSWR	≤ 2.5:1
Polarization	Right-hand circular polarization (RHCP)
Azimuth Coverage	Omnidirectional
Integral Base / Insulator	Not specified

*The VSAT-2432-SB is a right-hand circularly polarized, omni-directional low-horizon satellite communication antenna, optimized for high-performance SATCOM-on-the-move operations in naval and maritime applications.*



### IDEAL FOR:

- Naval and maritime SATCOM-on-the-move operations
- Platforms requiring low-profile, wideband, omnidirectional SATCOM capability
- Harsh shipboard environments