



TECHNICAL MANUAL and INSTALLATION INSTRUCTIONS

V-353 35-FOOT LIGHT DUTY WHIP ANTENNA

VTM-07-009-Rev A

Valcom Manufacturing Group, Inc.

175 Southgate Drive, P.O. Box 603, Guelph, Ontario, Canada N1H6L3 Tel: 519-824-3220 Fax: 519-824-3411

Web Site: www.valcommfg.ca E-mail: enquiries@valcom-guelph.com

REVISION SHEET

Revision	Description	Date
-	Original Issue Revised the technical	December 5, 2007
A	description of the sections to accurately reflect the product. Made reference to mounting brackets as being optional.	May 14, 2010

TABLE OF CONTENTS

1.0 V-353 INFORMATION

1.1 Introduction.....1

1.2 Technical Reference Data.....1

1.3 General Description.....2

1.4 Electrical Description.....2

1.5 Mechanical Description.....3

2.0 INSTALLATION

2.1 Unpacking.....4

2.2 New Site Preparation.....4

2.3 Assembly and Raising.....4

3.0 PARTS LIST

3.1 General.....5

4.0 MAINTENANCE

4.1 Scheduled Maintenance.....6

4.2 Corrective Maintenance.....6

5.0 QUICK REFERENCE DATA

5.1 Manufacturer’s Address.....7

5.2 Outline Drawings.....8

1.0 V-353 INFORMATION

1.1 Introduction

This section describes the electrical and mechanical properties of the V-353 fiberglass whip antenna. Information necessary to install, operate and maintain the antenna system is covered in the sections to follow.

Technical Reference Data

1.2

Electrical Properties	
Frequency Range	2 MHz to 30 MHz
Resonant Frequency	6.2 MHz (nominal)
Power Rating	1kW (average)
Dry Withstanding Voltage	25 kV
Electrical Length	34.1 feet (10.4 m)

V-353

Mechanical Properties	
Top Section Length	9.0 feet (2.74 meter)
Mid Section Length	9.0 feet (2.74 meter)
Base Section Length	17.0 feet (5.33 meter)
Typical Assembly Length	35.0 feet (10.67 meter)
Weight	Approximately 39 lbs (17.7 kg)
Conductor Material	Copper straps embedded in the fiberglass and thermo-setting epoxy resin composite
Finish	Epoxy polyamide paint
Mounting Position	Vertical
Base Diameter	8.0 inches (20.32 cm)
Mounting Hole Diameter	0.562 inches (1.43 cm)
Joints	Bronze ferrule C/W locking screw(s)
Mounting Holes Dimensions	5 holes equally spaced on a 6.0 inch (15.24 cm) diameter bolt circle
Operating Temperature	-58°F to +149°F (-50°C to +65°C)
Wind Loading Test	Up to 100 mph (161 km/h) relative
Abrasion Resistance	Very good

1.3 General Description

The V-353 Light Duty Whip Antenna is a lightweight yet rugged whip antenna designed specifically for yachts, fast patrol boats and fixed shelters. It has provisions for mounting to the wall of a structure with its optional side support, base mounting bracket and hardware.

Electrical Description

- 1.4 The Valcom, V-353 model, is a field proven 35-foot (11 m) epoxy fibreglass antenna. It is capable of operating with an average power of up to 1 kW over the frequency range of 2 MHz to 30 MHz.

1.5 Mechanical Description

Top-Section. The top-section is a solid, tapered rod made of circumferentially spun fibreglass strips embedded in thermosetting epoxy resin matrix. Embedded in the composite are multiple copper conductors secured at the bottom to a threaded male ferrule into which the mid- section is secured. The surface primed and painted with a polyamide epoxy surface coating.

Mid-Section. The mid-section is also tapered rod made of circumferentially spun fibreglass strips embedded in a thermosetting epoxy matrix. Embedded in the composite are multiple copper conductors and secured at the top end to a threaded female ferrule and at the bottom to another threaded male ferrule into which the base section is secured. The surface is primed and painted with a polyamide epoxy surface coating.

Base-Section. The base-section is a hollow, tapered cylinder made of circumferentially and longitudinally wound fibreglass filaments using a thermosetting epoxy resin matrix. The diameter expands out to meet the integral fibreglass mounting base. The surface is sanded smooth, then primed and painted with a polyamide epoxy surface coating. Multiple parallel conductors are connected to the threaded female ferrule at the top and to a conducting ring near the bottom. The side feed terminal extends from the bottom ring to the surface of the antenna approximately 11.0 inches (4.33 cm) from the bottom of the base flange. The base can withstand a flash-over voltage of 25 kV.

2.0 INSTALLATION

2.1 Unpacking

Open the shipping crates and remove the antenna sections and mounting brackets. Remove all packing material, including the male ferrule protectors on the antenna sections, if applicable. The V-353 antenna, as shipped, consists of the items listed in Table 3.1. Check that all of the items are present and in good condition.

2.2 New Site Preparation

Check to see that the mounting location at the site is free of dirt, cables and other obstructions.

2.3 Assembly and Installation of Antenna on the Site

The following steps should be followed to assemble the V-353 Light Duty Whip antenna.

- (1) Obtain two to three saw horses or other supports that will hold the complete antenna horizontally at a convenient working height and place them in the assembly area.
- (2) Support the base section (Item 1, Table 3.1) on two of the saw horses.
- (3) Assemble the second antenna section onto the base section and tighten to align the arrows (if applied) at the joint. Make sure the threads of the male ferrule are clear of foreign material and free of burrs. Support the end of the section on a saw horse if desired.
- (4) Assemble the third antenna section (Item 3, Table 3.1) onto the base and mid-section assembly and tighten to align the arrows (if applied) at the joint. Make sure the threads of the male ferrule are clear of foreign material and free of burrs.
- (5) Install the locking screw provided (Item 7, Table 3.1) and seal the screw head with the sealant provided (Item 9, Table 3.1).
- (6) If included, install the base mounting bracket (Item 4, Table 3.1) to an appropriate wall structure. Use the backing plate if the wall is insufficient for anchoring. Install the side support (Item 5, Table 3.1) approximately 15 ft (4.5 m) above the base mounting bracket.
- (7) The antenna is now ready to be raised to its final position. Raise antenna into position and secure to the brackets using the supplied hardware (Item 6, Table 3.1) or to another appropriate foundation.

3.0 PARTS LIST

3.1 General

A list of parts shipped with Valcom V-353 whip antenna appears in Table 3.1.

Table 3.1 - List of Parts for the V-353 Whip Antenna

Item	Part Number	Description	Qty	Notes
1	VD-80-00002-1	Base Section	1	
2	VC-80-00044-1	Mid Section	1	
3	VC-80-00045-1	Top Section	1	
4	VC7559-1	Base Mounting Bracket	1	optional
5	VB7560-1	Base Mounting Bracket Backing Plate	1	optional
6	VC7561-1	Side Support Bracket	1	optional
7	VB7562-1	Side Support Clamp	1	optional
8	VB7563-1 VC-	Side Support Backing Plate	1	optional
10	80-00001-2	Hardware kit Set	1	optional
11		Screw Hex Key	1	
8		Silicon Sealant Technical	1	
9		Manual and Installation	1	
10		Instructions	1	

4.0 MAINTENANCE

4.1 SCHEDULED MAINTENANCE

The antenna is virtually maintenance free. The external finish is an epoxy polyamide two part compound paint. The minimum finish life before showing signs of deterioration should be at least six years under normal climate condition. When used in salt-water environments, it is recommended to wash the antenna base with fresh water to remove any build-up of dried salt residue. This should be performed on a monthly basis or after prolonged exposure to sea-spray.

4.2 CORRECTIVE MAINTENANCE

Generally, no corrective maintenance is possible or required. If one section is severely damaged, it must be replaced by a new section. Workshops having experience in handling epoxy fibreglass composite structures may attempt the repair of minor surface damage if practicable.

NOTE

DO NOT USE LEAD BASE PAINT TO TOUCH-UP OR REPAINT THE ANTENNA. USE ONLY EPOXY BASE PAINT.

5.0 QUICK REFERENCE DATA

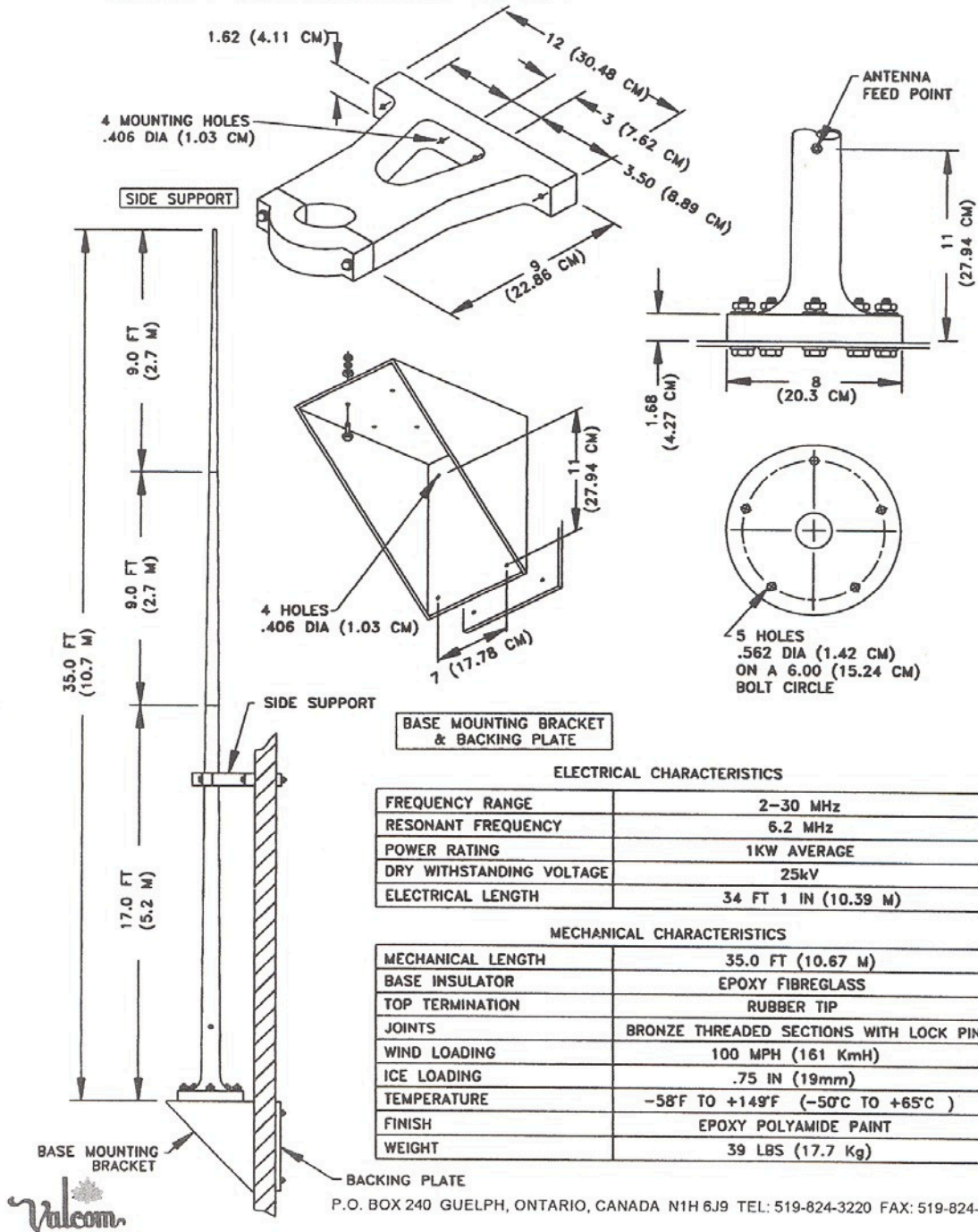
5.1 Manufacturer's Address

Postal address:
Valcom Limited P.O. Box 603 Guelph, Ontario Canada N1H 6L3

Shipping address:
Valcom Limited 175 Southgate Drive Hanlon Industrial Park Guelph, Ontario Canada N1G 3M5

5.2 Outline Drawings

V-353
QUICK REFERENCE DATA



ELECTRICAL CHARACTERISTICS

FREQUENCY RANGE	2-30 MHz
RESONANT FREQUENCY	6.2 MHz
POWER RATING	1KW AVERAGE
DRY WITHSTANDING VOLTAGE	25kV
ELECTRICAL LENGTH	34 FT 1 IN (10.39 M)

MECHANICAL CHARACTERISTICS

MECHANICAL LENGTH	35.0 FT (10.67 M)
BASE INSULATOR	EPOXY FIBREGLASS
TOP TERMINATION	RUBBER TIP
JOINTS	BRONZE THREADED SECTIONS WITH LOCK PIN
WIND LOADING	100 MPH (161 KmH)
ICE LOADING	.75 IN (19mm)
TEMPERATURE	-58°F TO +149°F (-50°C TO +65°C)
FINISH	EPOXY POLYAMIDE PAINT
WEIGHT	39 LBS (17.7 Kg)

P.O. BOX 240 GUELPH, ONTARIO, CANADA N1H 6J9 TEL: 519-824-3220 FAX: 519-824-3411