

## VHF Vertical Dipole Antenna

Rugged, broadband VHF vertical dipole antenna engineered for naval and shore-based applications. Offers high performance over a wide frequency range of 30–108 MHz with durable, weather-resistant epoxy fiberglass construction.



### **BROADBAND COVERAGE**

Operates from 30 MHz to 108 MHz with no tuner required



### **HIGH POWER HANDLING**

Handles up to 1000 W average RF power



### **WEATHERPROOF CONSTRUCTION**

Fiberglass construction provides inherent weatherproofing



### **SHIPBOARD ANTENNAS**

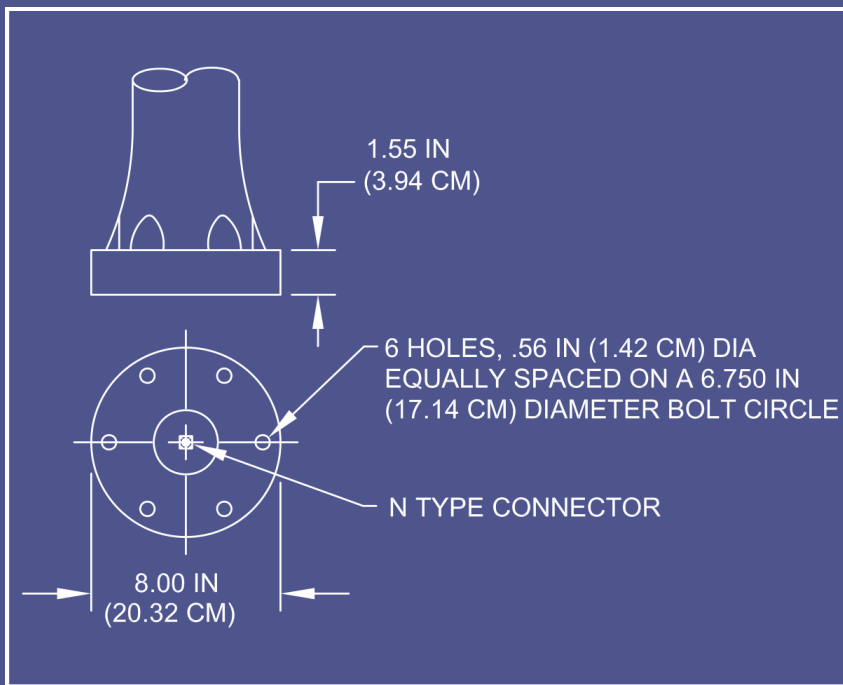
Built for rugged shipboard and shore installations



**AS-3226C/URC**

VHF Vertical Dipole  
Antenna

*NSN: 5985-01-383-8643*



## KEY CHARACTERISTICS

### AS-3226C/URC

Frequency Range (no tuner) 30MHz – 108 MHz

Power 1 KW

Height 12.5 ft

Weight 49 lbs

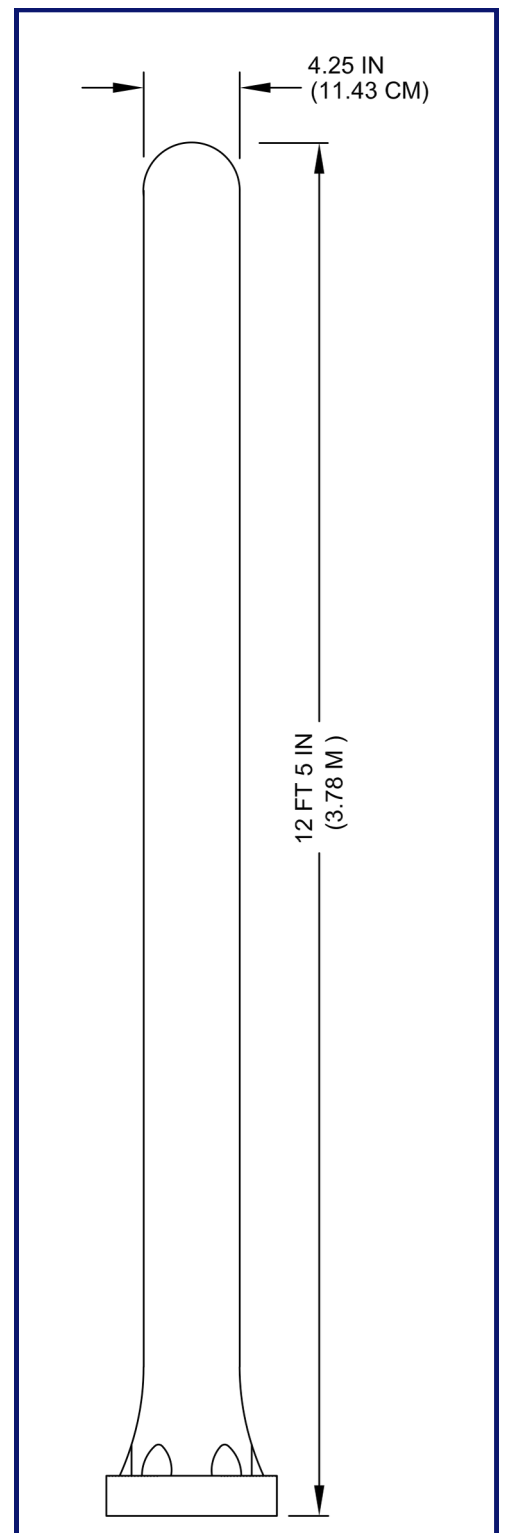
VSWR < 3.0:1

Polarization Vertical

Azimuth Coverage Omnidirectional

Integral Base / Insulator Epoxy Fiberglass

*The AS-3226C/URC is a self-supporting, vertically polarized dipole antenna designed for broadband VHF communications in demanding marine and military environments. Its fiberglass construction ensures long-term durability in harsh weather and vibration-prone conditions.*



### IDEAL FOR:

- Applications requiring high durability and broadband performance
- Rugged military environments
- Transmit and receive operations across 30–108 MHz