

VHF/UHF Antenna

A rugged, broadband shipboard antenna built for reliable performance in harsh maritime conditions. It delivers high power handling, built-in lightning protection, and weatherproof construction for uninterrupted communications at sea.



BROADBAND COVERAGE

Operates from 100 - 520 MHz with no tuner required



HIGH POWER HANDLING

Supports up to 500 W average RF power



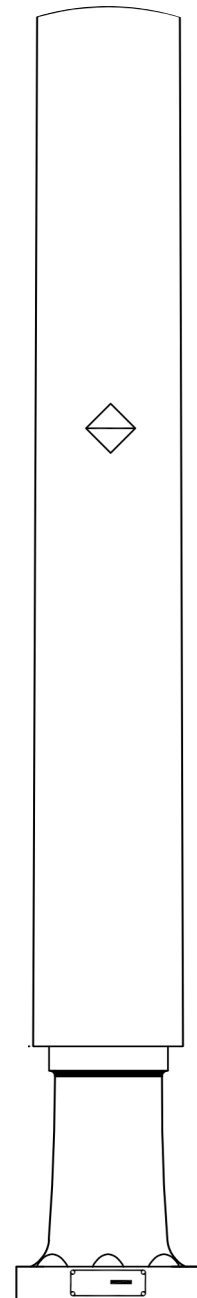
LIGHTNING PROTECTION

Integrated DC static short for safety and durability



SHIPBOARD ANTENNAS

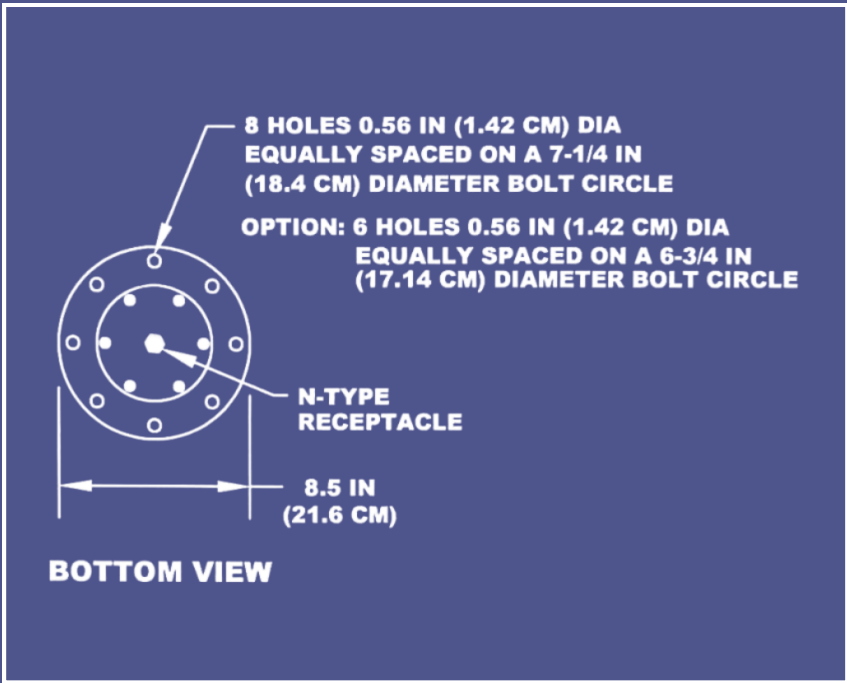
Built to meet Navy requirements



VAS-100

VHF/UHF Antenna

NSN: 5985-01-141-5798



KEY CHARACTERISTICS

VAS-100

Frequency Range (no tuner) 100 - 520 MHz

Power 500 Watts

Height 60 in

Weight 38 lbs

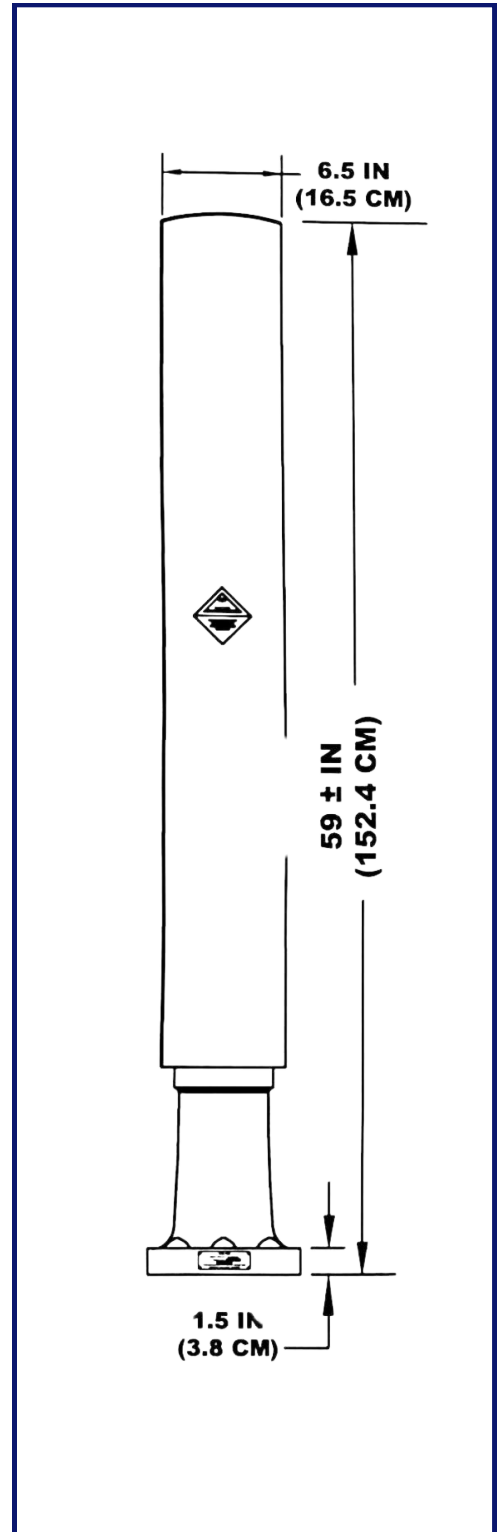
VSWR <3:1, 2.0:1

Polarization Vertical

Azimuth Coverage Omnidirectional

Integral Base / Insulator Epoxy
Fiberglass

The VAS-100 (BR305) broadband shipboard antenna is designed for both transmitting and receiving, offering dependable performance without external tuning equipment.



IDEAL FOR:

- Military and commercial vessels
- Coastal and offshore stations
- Harsh-weather marine operations
- Transmit and receive applications