

35-Foot Whip Antenna

The V-353 35-foot whip antenna offers broadband coverage from 2-30 MHz, designed for yachts, fast patrol boats, and fixed shelters.

Its rugged, lightweight construction ensures reliable performance with a 1 kW power rating, ideal for a variety of communication applications.



BROADBAND COVERAGE

Operates from 2 MHz to 30 MHz with no tuner required



DURABILITY AND RELIABILITY

Designed for rugged use, it can withstand wind speeds up to 100 MPH and ice loads of 0.75 inches



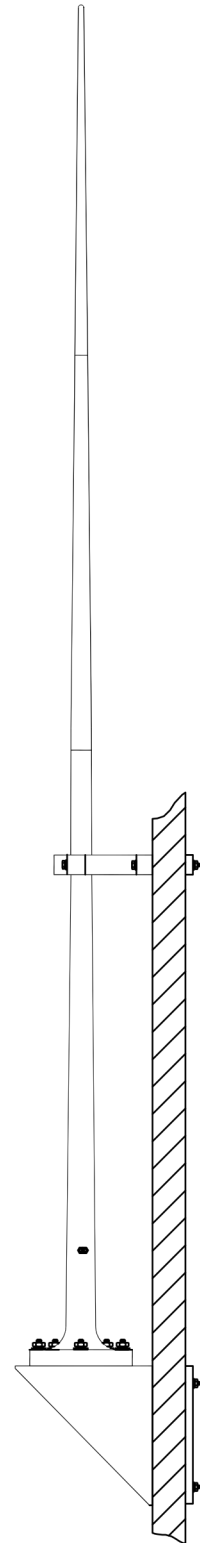
WEATHERPROOF CONSTRUCTION

The antenna is built with epoxy fiberglass and finished with epoxy polyamide paint, offering strong weatherproofing and durability



SHIPBOARD ANTENNAS

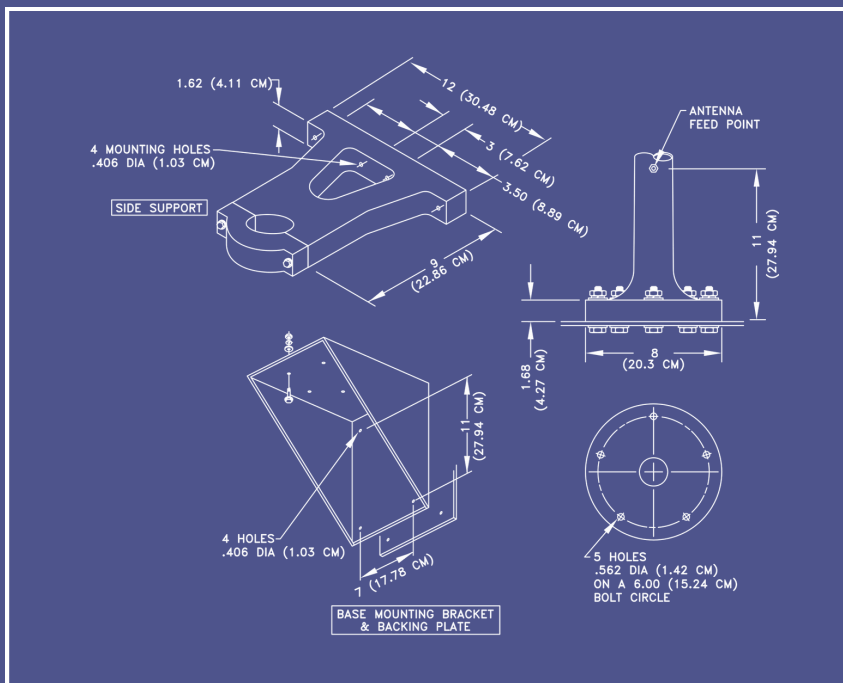
The antenna is designed for yachts, fast patrol boats, and fixed shelters, rather than military/naval shipboard use



V-353

35-Foot Whip Antenna

PN: V-353



KEY CHARACTERISTICS

V-353

Frequency Range (no tuner)

2 MHz – 30 MHz

Power

1 KW

Height

35 ft

Weight

39 lbs

VSWR

Not specified

Polarization

Vertical

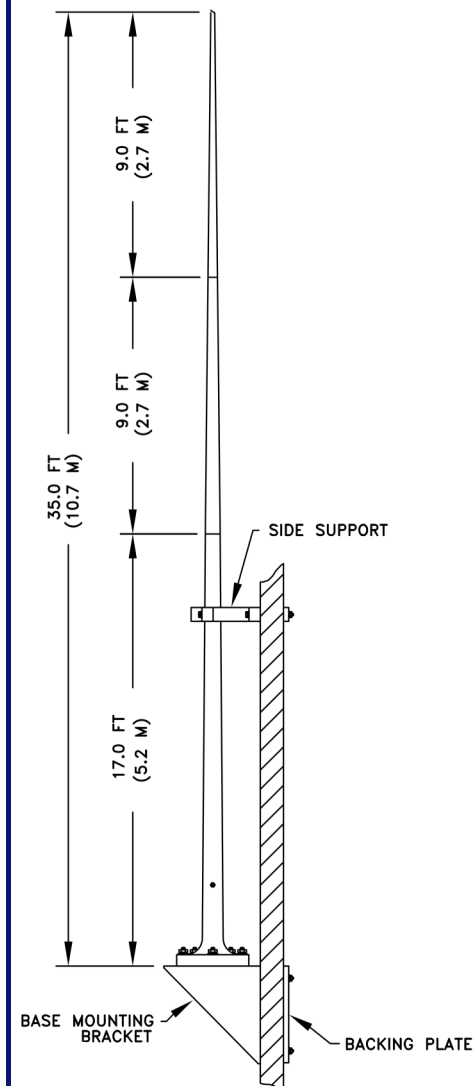
Azimuth Coverage

Omnidirectional

Integral Base / Insulator

Epoxy
Fiberglass

The V-353 is a versatile, three-section whip antenna, built for high-performance communication in the 2-30 MHz range. Its lightweight and durable design, combined with easy mounting options, makes it perfect for maritime and fixed installations.



IDEAL FOR:

- Yachts and fast patrol boats
- Fixed shelters and maritime communication systems
- Medium power transmitting and receiving applications