

## VHF/UHF Discone Antenna

The Valcom VDA-3231 Discone Antenna is a rugged, compact, and lightweight broadband VHF/UHF antenna designed for reliable omnidirectional coverage. Ideal for both transmitting and receiving applications, it is widely used in communication, monitoring, and direction-finding systems.



### **BROADBAND COVERAGE**

Operates from 80 MHz to 500 MHz with no tuner required



### **HIGH POWER HANDLING**

Handles high power, up to 1 kW average RF power



### **TRANSMIT AND RECEIVE**

Suitable for direction-finding arrays and signal monitoring



### **SHIPBOARD ANTENNAS**

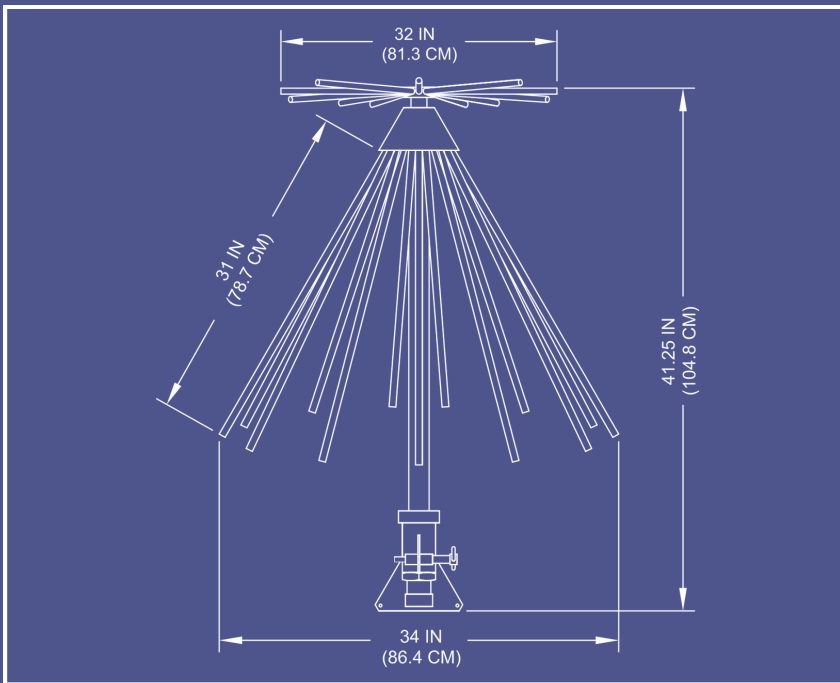
Well suited for naval or shipboard communication systems requiring broadband omnidirectional coverage



**VDA-3231**

VHF/UHF Discone Antenna

*PN: VDA-3231*

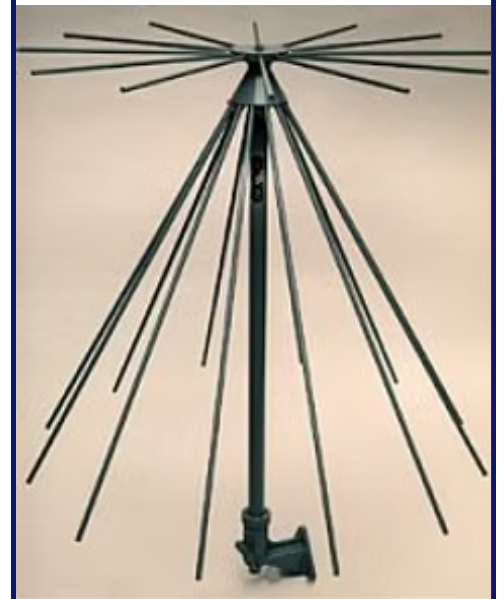


## KEY CHARACTERISTICS

## VDA-3231

Frequency Range (no tuner)	80 MHz – 500 MHz
Power	1 KW
Height	41.25 in
Weight	10 lbs
VSWR	≤ 3.5:1
Polarization	Vertical
Azimuth Coverage	Omnidirectional
Integral Base / Insulator	Not specified

*The VDA-3231 is a broadband discone antenna, engineered for omnidirectional VHF/UHF communications with high power handling and ease of assembly/disassembly.*



## IDEAL FOR:

- Signal monitoring and receiving
- Direction finding arrays
- High power transmitting applications
- Shipboard and military communication systems