

36-Foot Whip Antenna

The V-425 36-foot whip antenna offers robust, high-power performance from 1.6-30 MHz, ideal for shipboard and marine applications. Built for extreme environments, it combines durability, reliability, and rugged construction for reliable communication.



BROADBAND COVERAGE

Operates from 1.6 MHz to 30 MHz with no tuner required



HIGH POWER HANDLING

The antenna can handle 5 KW average RF power



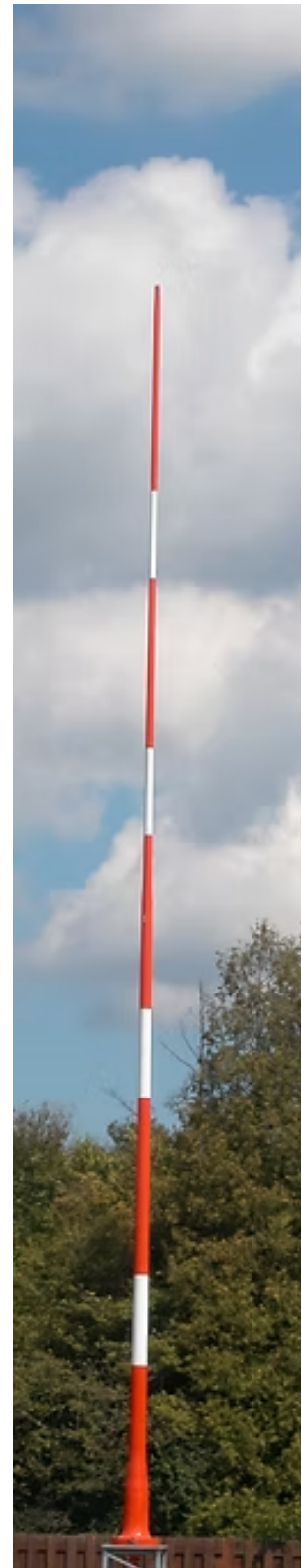
WEATHERPROOF CONSTRUCTION

The antenna features filament-wound epoxy fiberglass with an epoxy polyamide finish for weatherproofing, and a brass corona ball for discharge protection



SHIPBOARD ANTENNAS

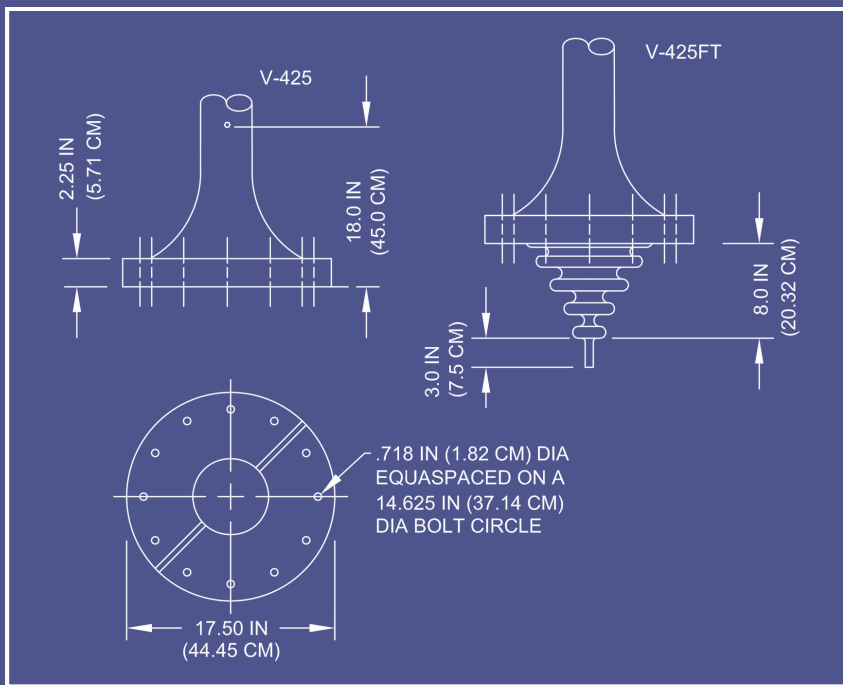
The antenna is ideal for shipboard and marine applications, as well as land-based installations that require rugged construction



V-425

36-Foot Whip Antenna

PN: V-425



KEY CHARACTERISTICS

V-425

Frequency Range (no tuner)

1.6 MHz – 30 MHz

Power

5 KW

Height

36 ft

Weight

155 lbs

VSWR

Not specified

Polarization

Vertical

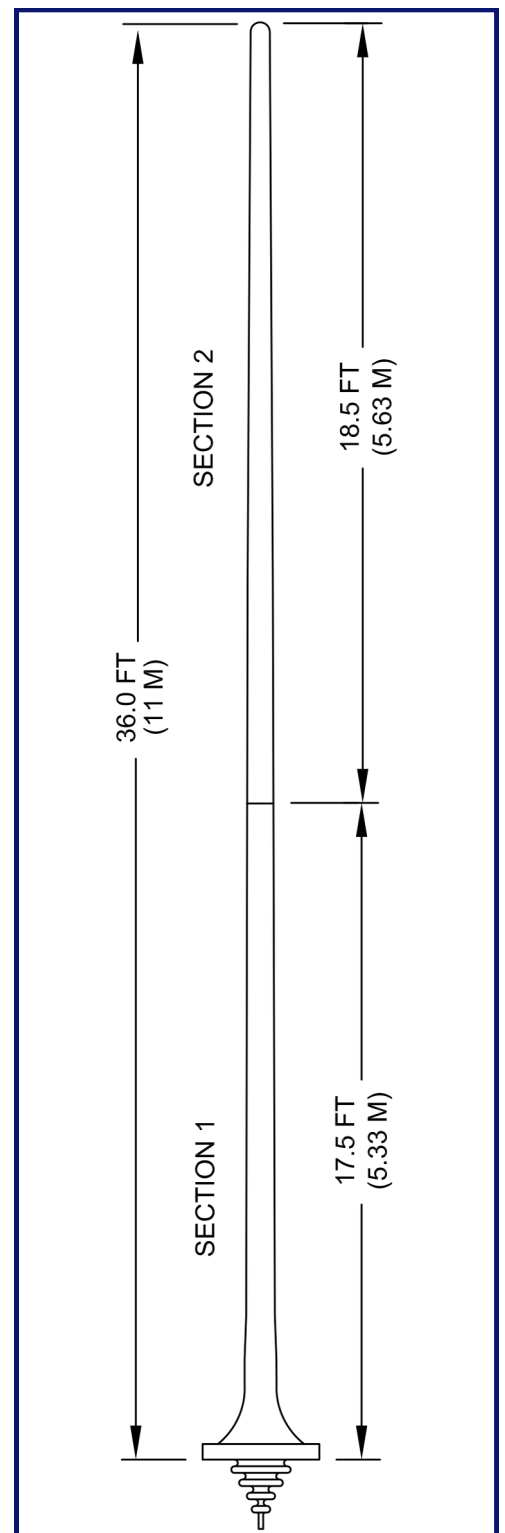
Azimuth Coverage

Omnidirectional

Integral Base / Insulator

Epoxy
Fiberglass

The V-425 is a heavy-duty, 36-foot whip antenna designed for high-performance communication in demanding environments. It provides omnidirectional coverage and is perfect for marine and land-based applications requiring high power and reliable operation.



IDEAL FOR:

- Land-based installations requiring rugged, reliable performance
- High-power transmitting and receiving applications
- Harsh environmental conditions