

85-Foot Coil Loaded Self-Supporting Whip Antenna

The V33085AM-CL2 is a rugged 85-foot fiberglass AM broadcast antenna, built for high efficiency, low maintenance, and easy installation with no lighting required.



BROADBAND COVERAGE

Operates from 540 kHz to 1700 kHz with a tuner



DURABILITY AND RELIABILITY

Power handling capabilities up to 10 KW RF power depending on frequency range



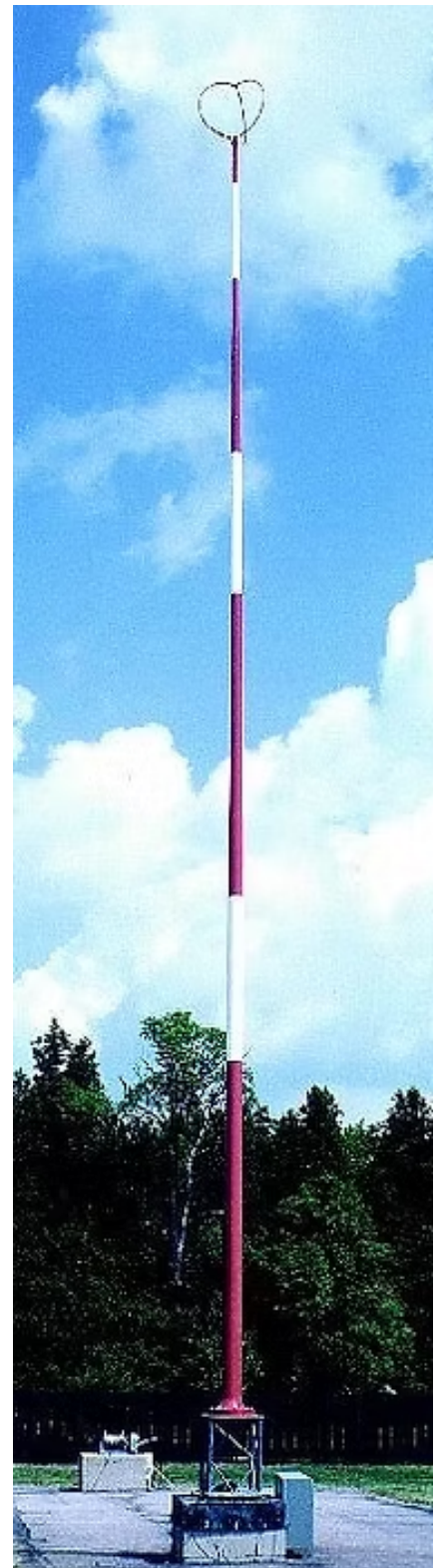
WEATHERPROOF CONSTRUCTION

The fiberglass build and epoxy finish suggest strong weather resistance



SHIPBOARD ANTENNAS

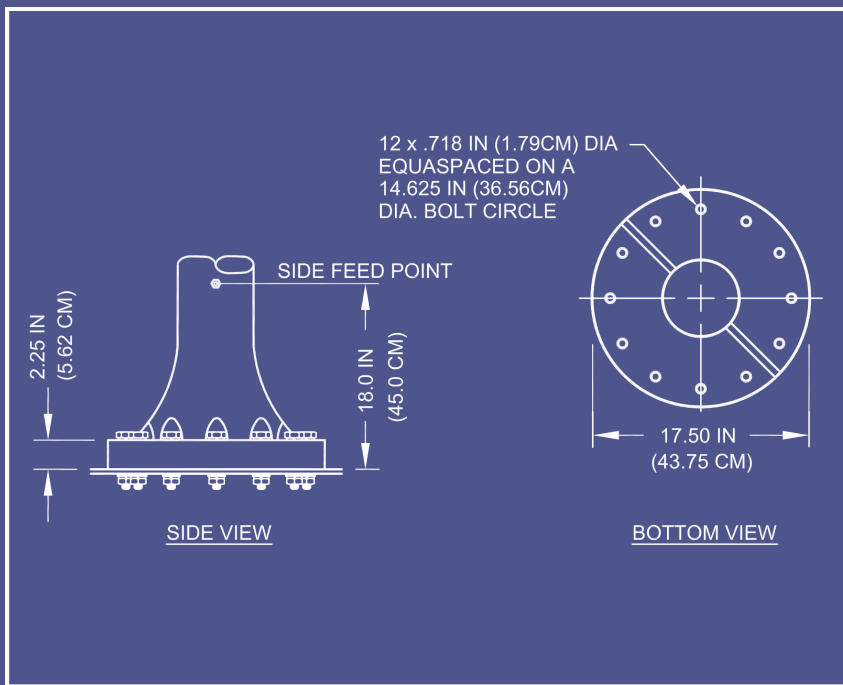
Free-standing and likely ground-mounted, making it unsuitable for shipboard deployment



V-33085AM-CL2

85-Foot Coil Loaded Self-Supporting Whip Antenna

PN: V33085AM-CL2



KEY CHARACTERISTICS

V-33085AM-CL2

Frequency Range (with tuner) 540 kHz to 1700 kHz

Power 5.0 KW

Height 85 ft

Weight 950 lbs

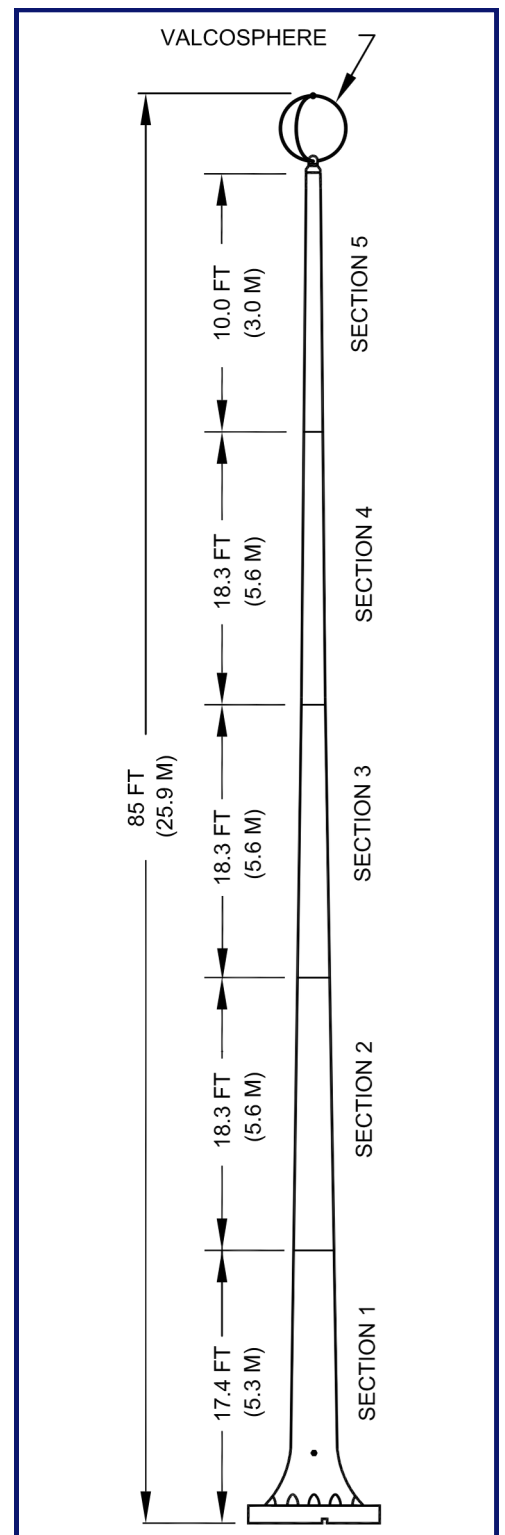
VSWR Not specified

Polarization Vertical

Azimuth Coverage Omnidirectional

Integral Base / Insulator Epoxy Fiberglass

This heavy-duty whip antenna is ideal for AM broadcasters needing reliable, low-maintenance, high-power performance across wide frequencies and tough conditions.



IDEAL FOR:

- AM broadcast stations needing a high-efficiency, durable antenna
- Remote or rural installations requiring low maintenance
- Temporary or backup broadcast systems