

## VHF/UHF Discone Antenna

The VDA-2627 is a compact broadband VHF/UHF discone antenna with exceptional performance and reliability. Designed for signal receiving, monitoring, and directional transmitting, it is ideal for demanding applications requiring high power handling and rapid deployment.



### **BROADBAND COVERAGE**

Operates from 108 MHz to 400 MHz with no tuner required



### **HIGH POWER HANDLING**

Handles high power, up to 1 kW average RF power



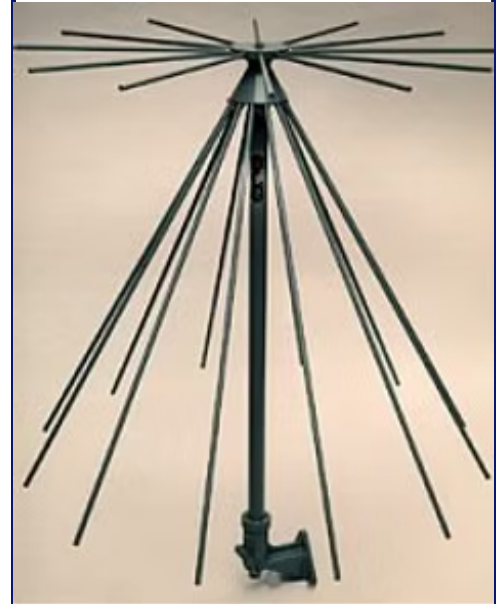
### **TRANSMIT AND RECEIVE**

Suitable for signal receiving and monitoring as well as directional transmitting applications



### **VEHICULAR APPLICATIONS**

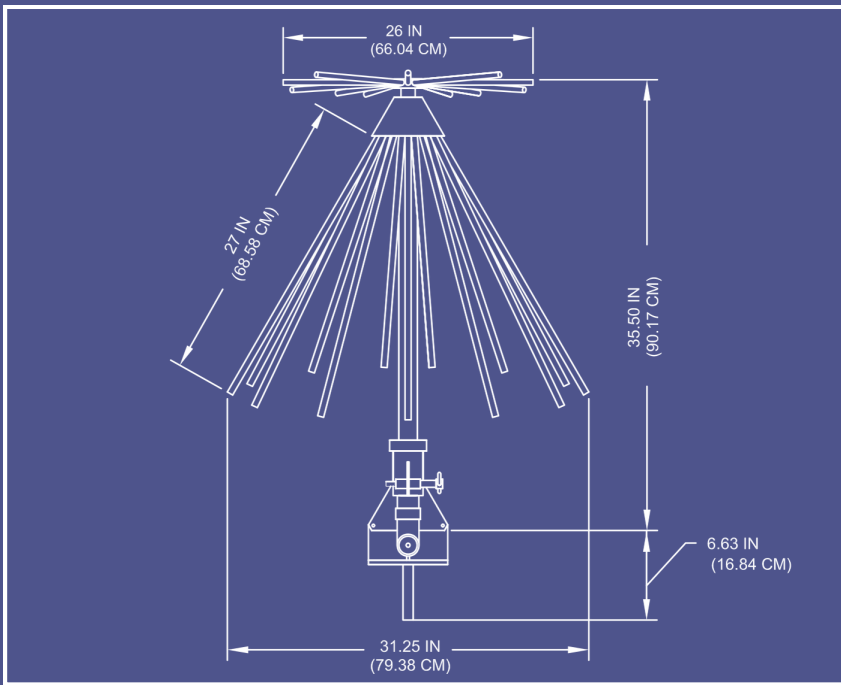
Antenna mounting options and rugged construction make it versatile



**VDA-2627**

VHF/UHF Discone Antenna

*PN: VDA-2627*



## KEY CHARACTERISTICS

## VDA-2627

Frequency Range (no tuner)	108 MHz - 400 MHz
Power	1 KW
Height	27 in
Weight	12 lbs
VSWR	< 2.5:1
Polarization	Vertical
Azimuth Coverage	Omnidirectional
Integral Base / Insulator	Not specified

*This versatile discone antenna supports a wide frequency range (108 MHz to 400 MHz) and is engineered for durability, lightweight portability, and multiple mounting configurations. Ideal for a variety of professional communication needs.*



### IDEAL FOR:

- Quick assembly/disassembly for flexible deployment
- Applications requiring high power handling
- Direction finding (DF) arrays
- Signal receiving and monitoring applications