

# Dual Channel UHF/WNW Dipole Shipboard Antenna

The VAS-4163 is a rugged dual-channel UHF/WNW antenna for 225–2000 MHz. Built for shipboard use, it supports high power, all-weather durability, and reliable transmit/receive performance.



## BROADBAND COVERAGE

Operates from 225–400 MHz (UHF) and 400–2000 MHz (WNW)



## HIGH POWER HANDLING

Supports up to 1000 W (UHF) and 300 W (WNW)



## WEATHERPROOF CONSTRUCTION

Built for harsh shipboard environments



## SHIPBOARD ANTENNAS

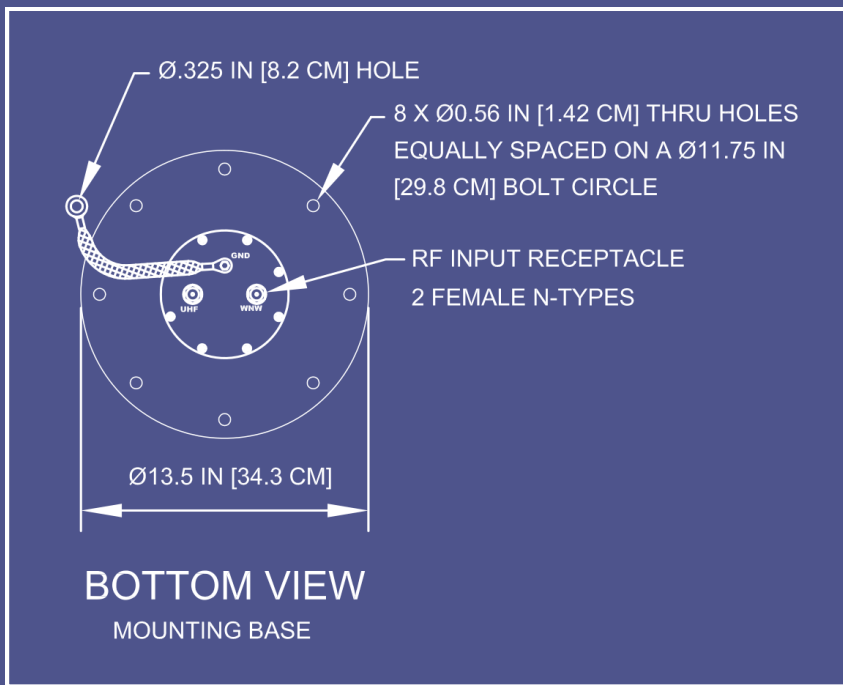
Specifically designed for shipboard environments



# VAS-4163

Dual Channel UHF/WNW  
Dipole Shipboard Antenna

PN: VD-17-00070-1



## KEY CHARACTERISTICS

## AS-4163/URC

Frequency Range (no tuner)

225–2000 MHz  
(UHF/WNW)

Power

1000W (UHF),  
300W (WNW)

Height

75 in

Weight

34 lbs

VSWR

UHF  $\leq$  3.0:1,  
WNW  $\leq$  2.0:1

Polarization

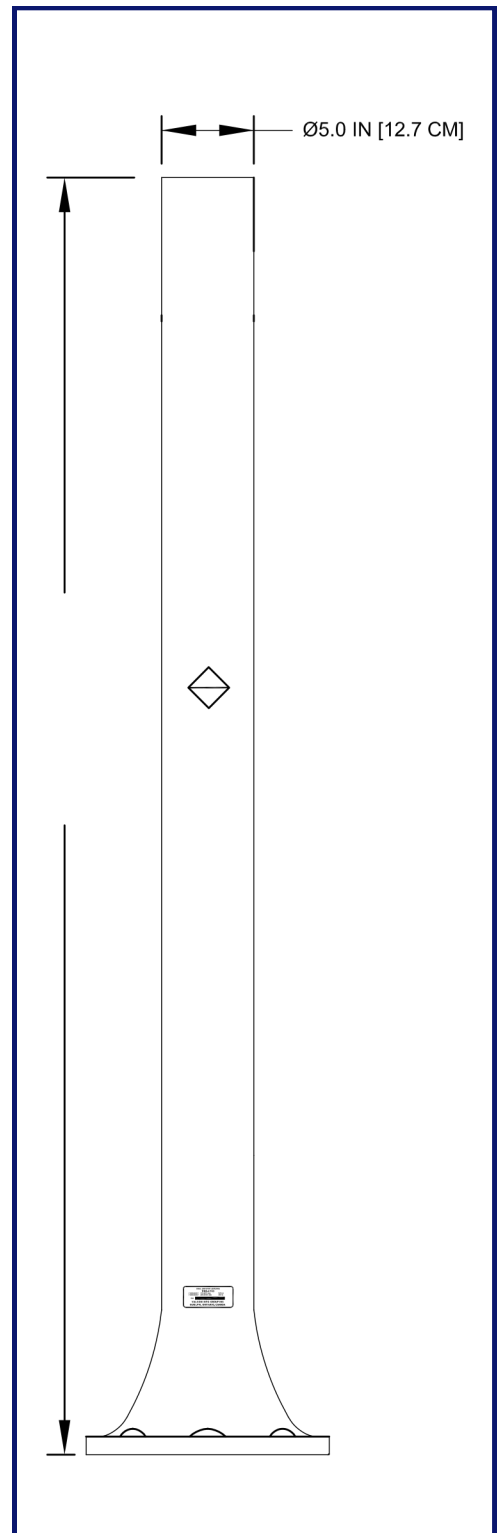
Vertical

Azimuth Coverage

Omnidirectional

Integral Base / Insulator

Epoxy  
Fiberglass



## IDEAL FOR:

- Shipboard communications across UHF and WNW bands
- Dual-channel systems requiring wideband coverage
- Harsh marine environments

*The VAS-4163 is a vertical, omnidirectional broadband antenna with dual dipoles in a fiberglass radome. Ideal for naval use, it covers 225–2000 MHz without a tuner and handles harsh conditions.*