

## Multi-Band Antenna

The VMB-3512 is a rugged multi-band vehicular whip antenna for VHF and UHF communications, offering a 30-512 MHz range and high voltage isolation for safety. Designed for military use, it ensures reliable performance in harsh environments.



### BROADBAND COVERAGE

Operates from 30 MHz to 512 MHz with no tuner required



### DURABILITY AND RELIABILITY

The antenna meets MIL-STD-810G standards, ensuring reliability in extreme conditions, with temperatures from -60°F to +160°F and wind speeds up to 70 mph



### WEATHERPROOF CONSTRUCTION

The antenna is designed to handle harsh environmental conditions, including extreme temperatures and wind velocities



### VEHICULAR APPLICATIONS

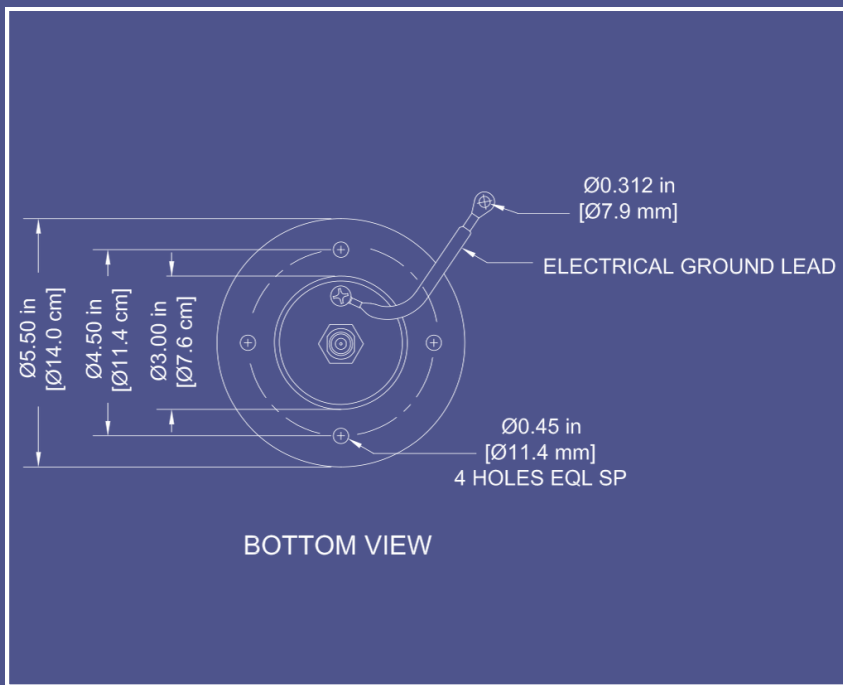
the antenna is specifically designed for vehicular applications, making it ideal for military vehicles and other mobile setups



**VMB-3512**

Multi-Band Antenna

PN: VMB-3512



## KEY CHARACTERISTICS

## VMB-3512

Frequency Range (no tuner) 30 MHz - 512 MHz

Power 0.1 KW

Height 138 in

Weight 10.5 lbs

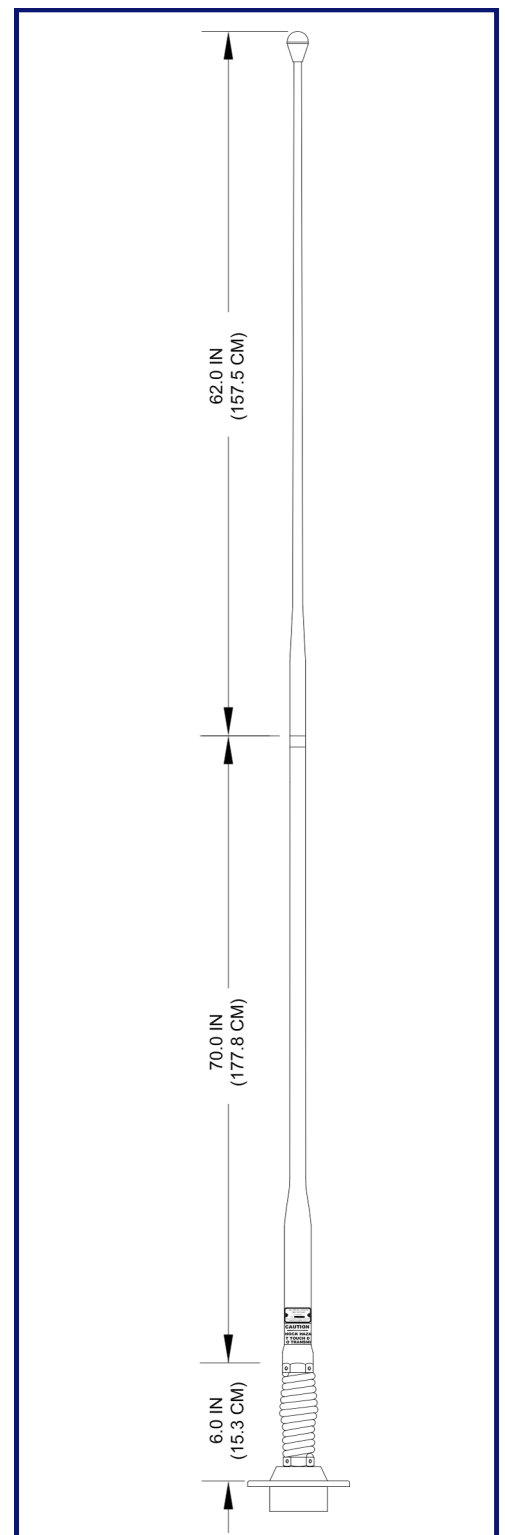
VSWR 3.5:1

Polarization Vertical

Azimuth Coverage Omnidirectional

Integral Base / Insulator Epoxy Fiberglass

*The VMB-3512 is an omnidirectional, multi-band antenna, ideal for replacing multiple antenna setups. It ensures high power handling, robust construction, and superior environmental performance, making it suitable for use in military, vehicular, and field applications.*



## IDEAL FOR:

- Military applications
- Spectrum countermeasure systems
- JTRS programs, wide-band frequency agile radios