

Broadband Vertical Dipole Antenna

The AS-2810C/SRC is a rugged, lightweight UHF dipole antenna for 225–400 MHz broadband use. Built for shipboard and harsh environments, it supports transmit/receive with high power handling and weatherproof durability.



BROADBAND COVERAGE

Operates from 225 to 400 MHz with no tuner required



DURABILITY AND RELIABILITY

Designed for severe environmental conditions



WEATHERPROOF CONSTRUCTION

Sealed and suitable for naval applications



SHIPBOARD ANTENNAS

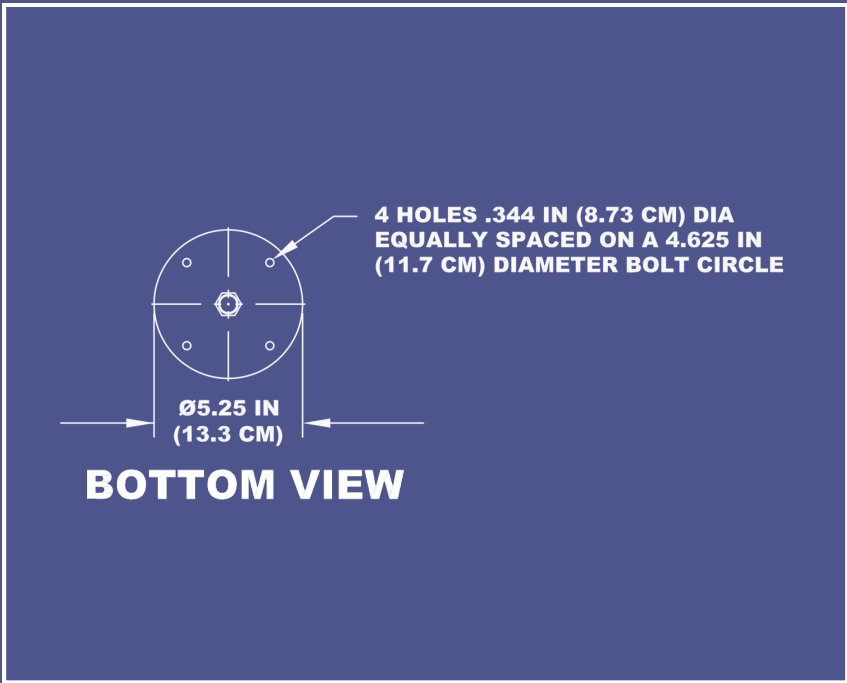
Specifically designed for shipboard applications



AS-2810C/SRC

Broadband Vertical Dipole Antenna

PN: AS-2810C/SRC



KEY CHARACTERISTICS

AS-2810C/SRC

Frequency Range (no tuner)	225 MHz to 400 MHz
Power	0.5 KW
Height	28 in
Weight	5.5 lbs
VSWR	≤ 2.0:1
Polarization	Vertical
Azimuth Coverage	Omnidirectional
Integral Base / Insulator	Epoxy Fiberglass

The AS-2810C/SRC is a vertical, omnidirectional dipole antenna in a durable fiberglass radome, ideal for reliable naval communications across a wide frequency range—no tuner required.



IDEAL FOR:

- Naval and shipboard communications
- Harsh or demanding environments
- Systems requiring no tuner