

VHF Vehicular Antenna

The Valcom VAS-3088 is a rugged, wideband VHF vehicular antenna built for demanding military use, delivering dependable 30–88 MHz communication with broadband performance, lightning protection, and easy installation—no tuner required.



BROADBAND COVERAGE

Operates from 30 MHz to 88 MHz with no tuner required



DURABILITY AND RELIABILITY

Built to meet rigorous military environmental demands



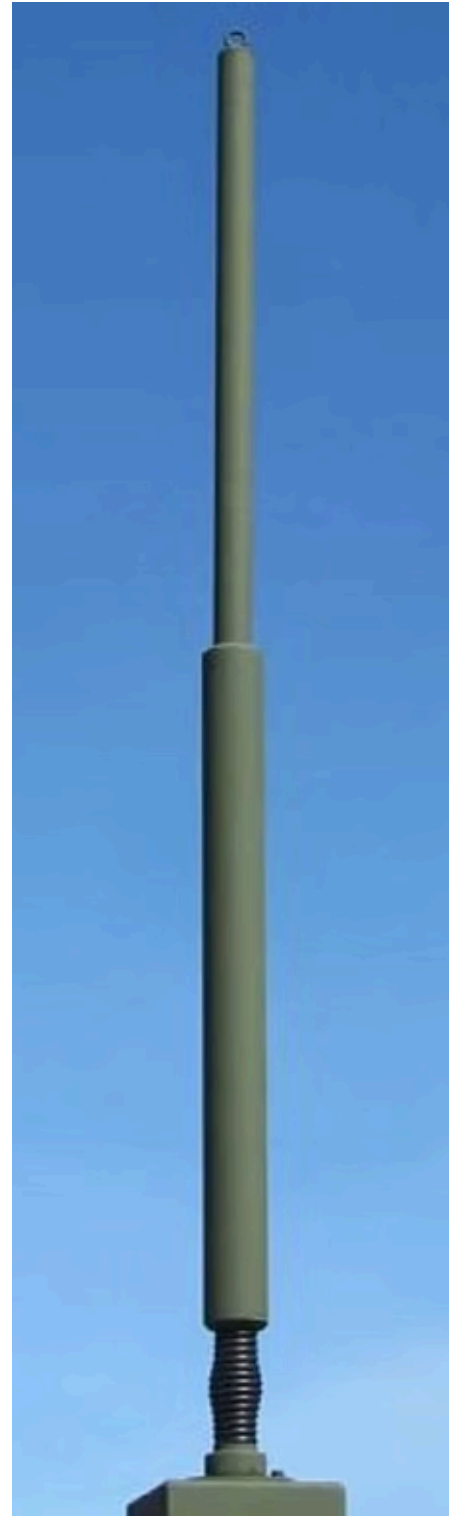
LIGHTNING PROTECTION

Supports 200 W power and meets MIL-STD-464 lightning protection



VEHICULAR APPLICATIONS

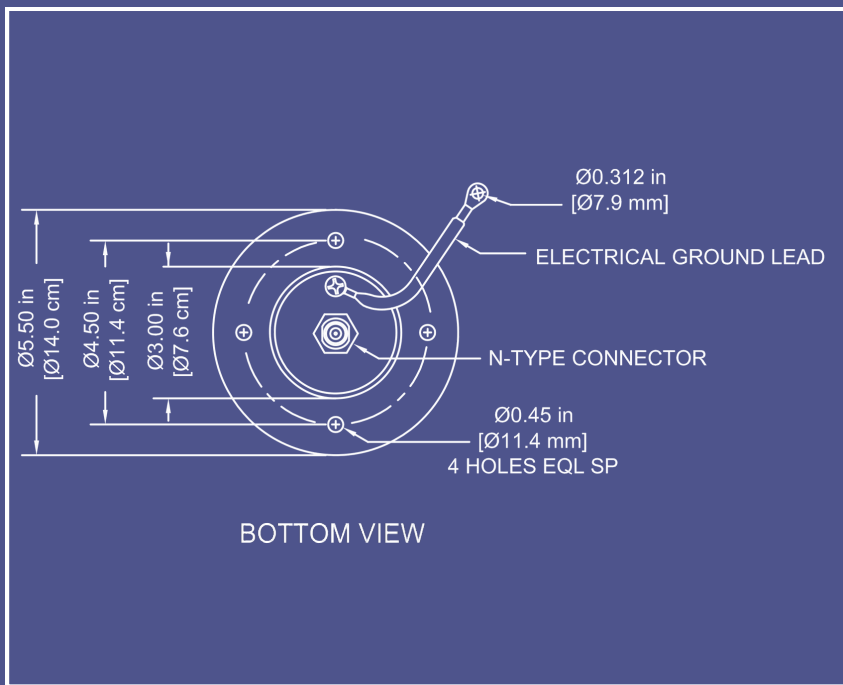
This unit is primarily vehicular, but ruggedization, EMP protection, and high-voltage isolation make it adaptable for other platforms



VAS-3088

VHF Vehicular Antenna

PN: VD-11-00110-1

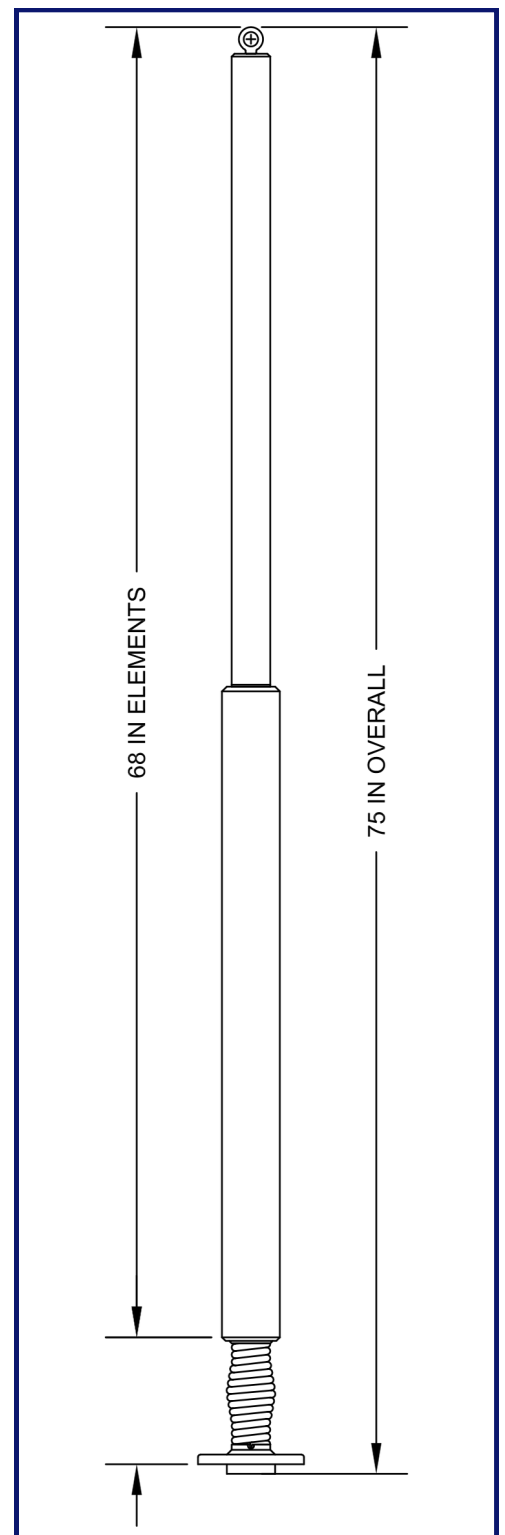


KEY CHARACTERISTICS

VAS-3088

Frequency Range (no tuner)	30 MHz – 88 MHz
Power	0.2 KW
Height	75 in
Weight	12.9 lbs
VSWR	2.5:1
Polarization	Vertical
Azimuth Coverage	Omnidirectional
Integral Base / Insulator	Not specified

The VAS-3088 is a vertically polarized, omnidirectional fiberglass whip antenna designed for vehicular applications, supporting both transmit and receive functions across the VHF band.



IDEAL FOR:

- Military vehicles requiring reliable VHF communications
- Situations requiring built-in lightning and high-voltage protection
- Rapid deployment with quick, no-adjustment installation