

VBBA-NVIS Broadband HF NVIS Antenna

The VBBA-NVIS is a rugged, modular HF antenna for long- and mid-range NVIS communications, offering dual polarization and broadband performance without external tuners.



BROADBAND COVERAGE

Operates from 3 - 15 MHz
with no tuner required



HIGH POWER HANDLING

Supports up to 3000 W average
RF power



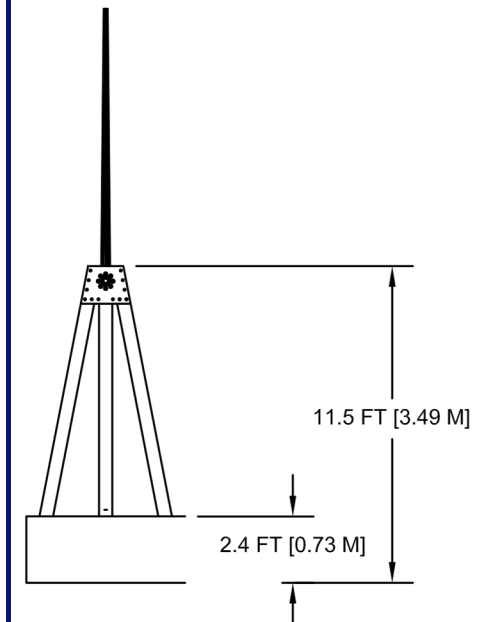
WEATHERPROOF CONSTRUCTION

Rugged enough for permanent
outdoor installations



FIXED GROUND INSTALLATION

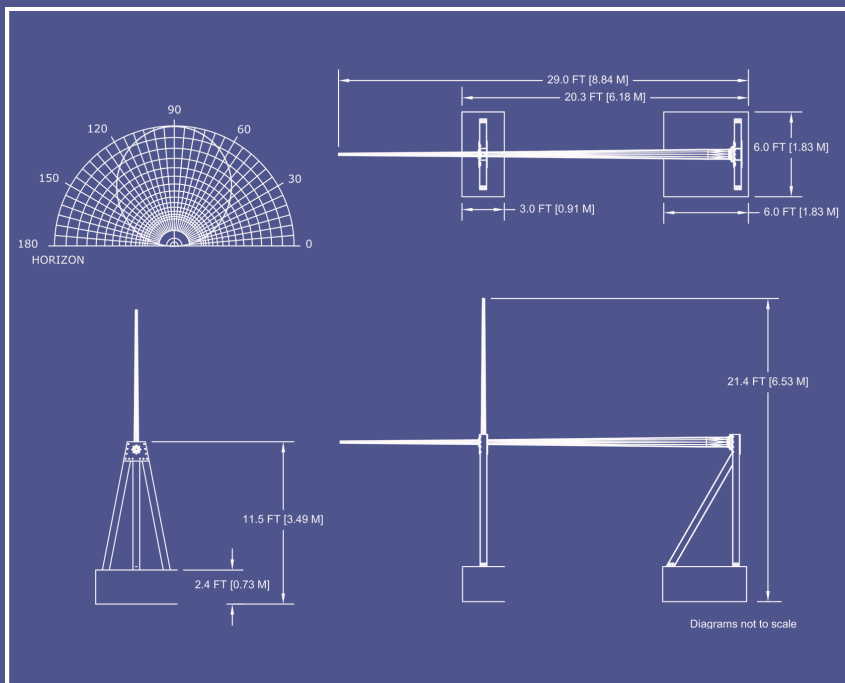
Ideal for fixed sites, remote
outposts, and rugged field
operations.



VBBA-NVIS

VBBA-NVIS Broadband HF
NVIS Antenna

NSN: 5985-01-608-5078



KEY CHARACTERISTICS

VBBA-NVIS

Frequency Range (no tuner) 3 MHz to 15 MHz

Power 3 KW

Height 10ft/20ft with Vertical Optical

Weight 633 lbs

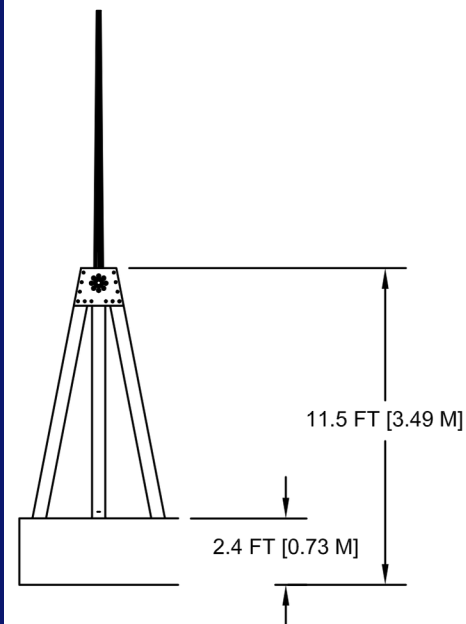
VSWR $\leq 2.5:1$ (no tuner)

Polarization Vertical/Horizontal

Azimuth Coverage Omnidirectional

Integral Base / Insulator Aluminum

The VBBA-NVIS is a broadband HF antenna optimized for NVIS operation, ideal for overcoming terrain obstacles and achieving dependable long-range communications in fixed installations.



IDEAL FOR:

- Disaster relief or emergency response installations
- Remote area communication where terrain blocks surface waves