

## VHF/UHF Discone Antenna

The Valcom VDA-3231A is a compact, broadband VHF/UHF discone antenna designed for wideband signal receiving, transmitting, and monitoring applications. Engineered for reliability, it delivers high power handling, easy installation, and multiple mounting options for both stationary and mobile use.



### **BROADBAND COVERAGE**

Operates from 115 MHz to 400 MHz with no tuner required



### **HIGH POWER HANDLING**

Handles high power, up to 1 kW average RF power



### **TRANSMIT AND RECEIVE**

Suitable for signal receiving, monitoring, and transmitting



### **VEHICULAR APPLICATIONS**

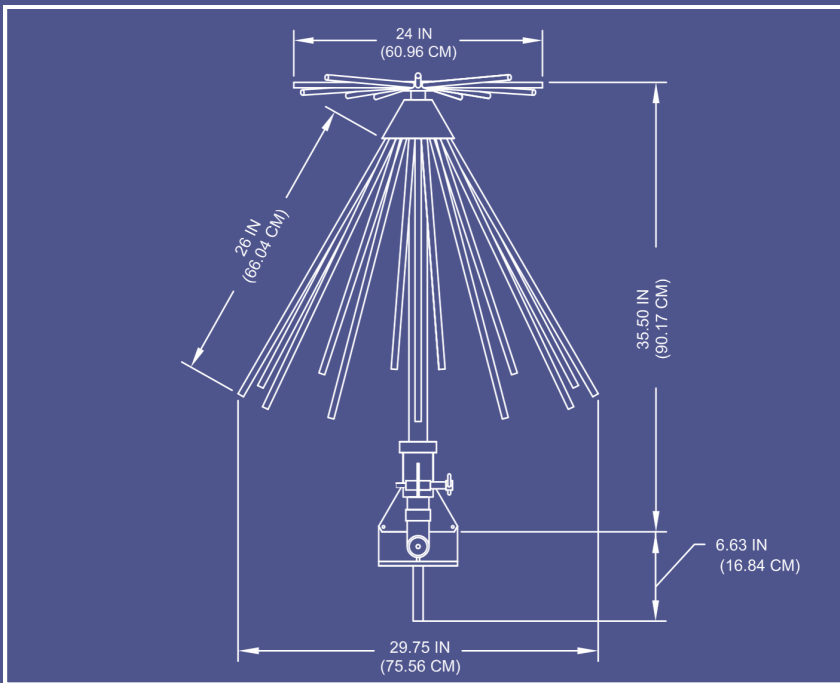
Can be mounted to side wall of building, standard 4-bolt vehicular mount, or atop a VIXAM-40 mast (multipurpose mounting)



**VDA-3231A**

VHF/UHF Discone Antenna

*NSN: 5985-20-000-4977*



## KEY CHARACTERISTICS

### VDA-3231A

Frequency Range (no tuner)	115 MHz - 400 MHz
Power	1 KW
Height	29.75 in
Weight	12 lbs
VSWR	< 2.5:1
Polarization	Vertical
Azimuth Coverage	Omnidirectional
Integral Base / Insulator	Not specified

*The VDA-3231A is a rugged, omnidirectional disc antenna built for broadband coverage across 115–400 MHz. Its durable aluminum construction, high power handling, and weather-resistant design make it an ideal choice for military, shipboard, and monitoring applications.*



### IDEAL FOR:

- Direction finding (DF) arrays
- Quick deployment with easy assembly/disassembly
- Shipboard and land-based installations