

## Crossed Yagi Antenna

The Valcom Crossed Yagi Antenna delivers reliable, high-performance data collection across 400 MHz and similar frequencies.

Lightweight, easy to install, and weatherproof, it's designed for both land and marine applications.



### **BROADBAND COVERAGE**

Operates at a nominal 401.8 MHz with no tuner required



### **HIGH POWER HANDLING**

Handles up to 20 W maximum input power



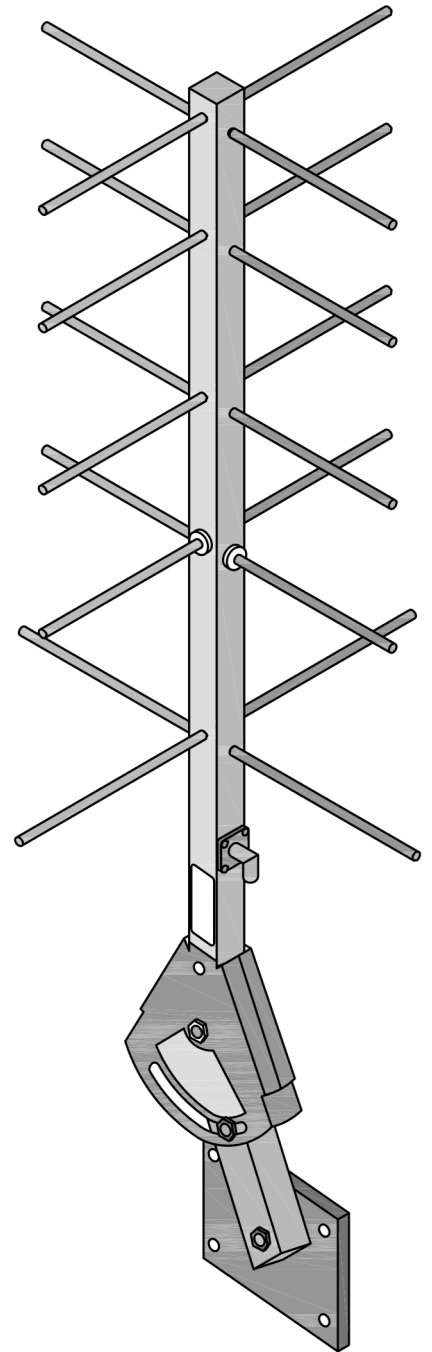
### **WEATHERPROOF CONSTRUCTION**

Fiberglass enclosure; fully weatherproof for environmental resilience



### **SHIPBOARD ANTENNAS**

Shipboard compatible; designed to withstand high wind speeds and environmental extremes



**Crossed Yagi Antenna**

Crossed Yagi Antenna

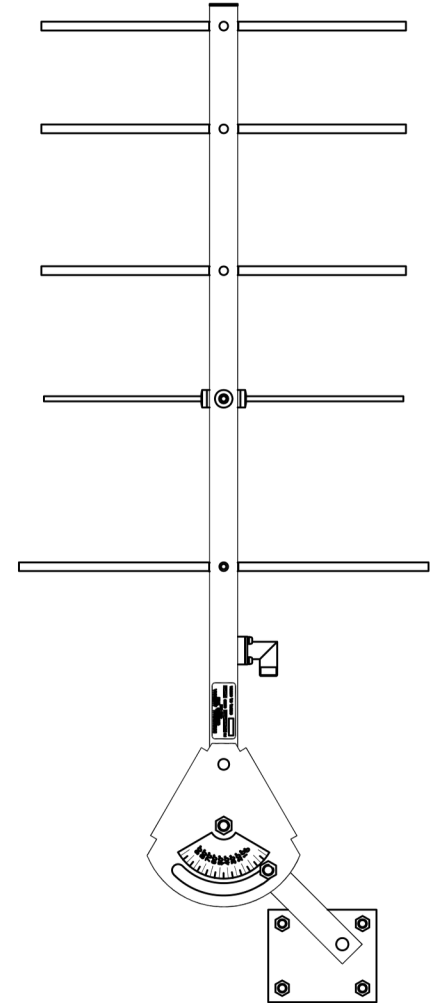


## KEY CHARACTERISTICS

### Crossed Yagi Antenna

Frequency Range (no tuner)	401.8 MHz (nominal)
Power	0.02 KW
Height	43.3 in
Weight	5 lbs
VSWR	≤1.5
Polarization	Right-hand circular
Azimuth Coverage	360° adjustable
Integral Base / Insulator	Not specified

*A directional, crossed Yagi antenna providing right-hand circular polarization, high gain, and robust performance in challenging environmental conditions. Ideal for time-critical data transmission and remote monitoring systems.*



### IDEAL FOR:

- Data collection platforms, shipboard installations, and any 400 MHz applications requiring directional high-gain antennas.