

49-Foot Fiberglass Antenna

The Valcom V-147-CL2-TH is a durable 49 ft (14.9 m) coil-loaded fiberglass whip antenna built for reliable MF communications. Ideal for marine, HF, AM, and TIS systems, with an optional top-hat for enhanced bandwidth.



BROADBAND COVERAGE

Operates from 100 kHz to 30 MHz with a tuner



DURABILITY AND RELIABILITY

Heavy-duty construction with high-strength fiberglass and epoxy base insulator



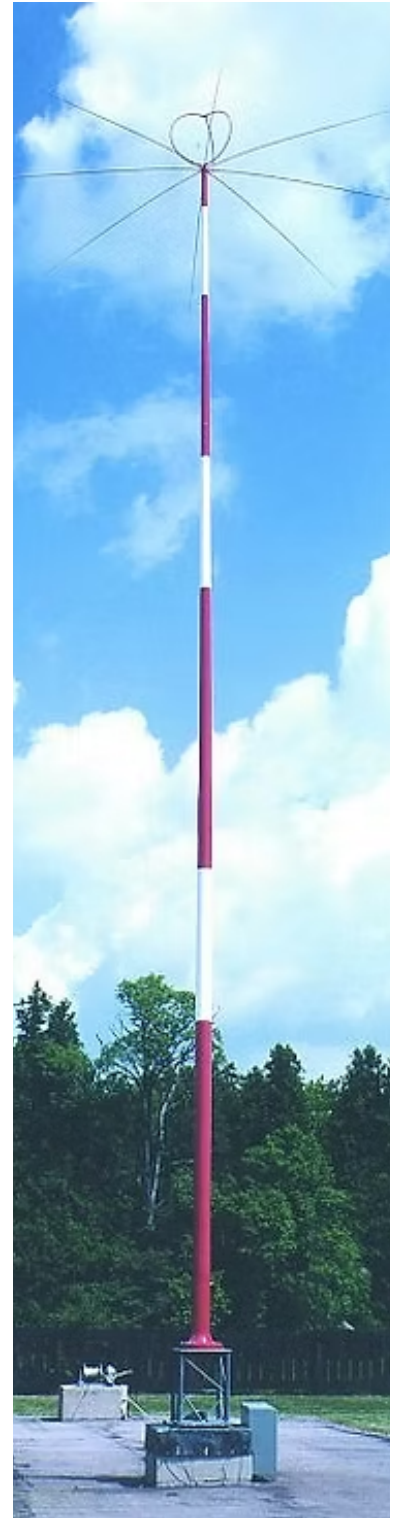
RECEIVE AND TRANSMIT

Handles both transmitting and receiving for HF and MF systems



SHIPBOARD ANTENNAS

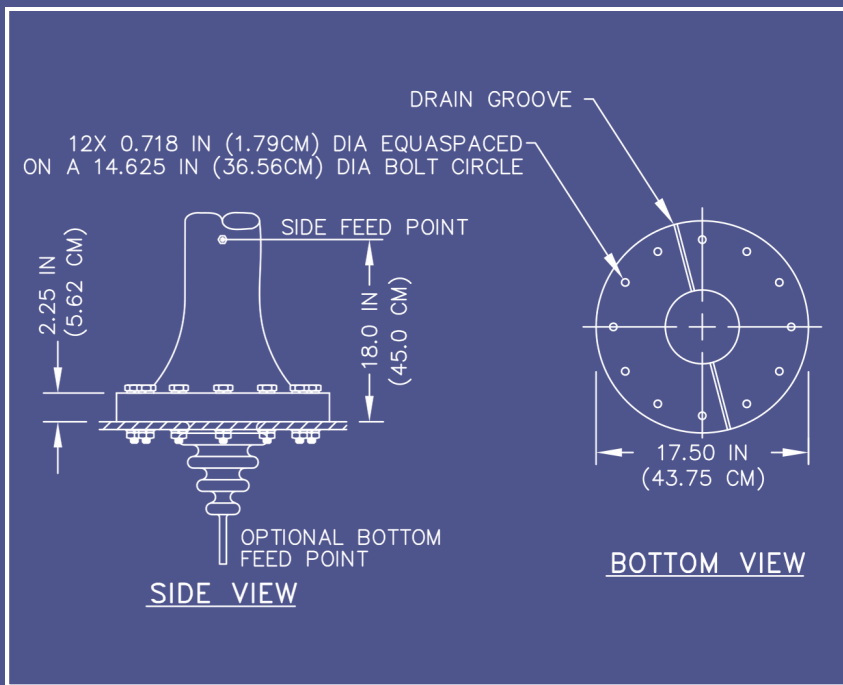
Designed for use on offshore drilling rigs, ships, and maritime marker buoys



V-147-CL2-TH

49-Foot
Fiberglass Antenna

PN: V-147-CL2-TH



KEY CHARACTERISTICS

V-147-CL2-TH

Frequency Range (with tuner) 100 kHz to 30 MHz

Power 1.0 KW

Height 49 ft

Weight 400 lbs

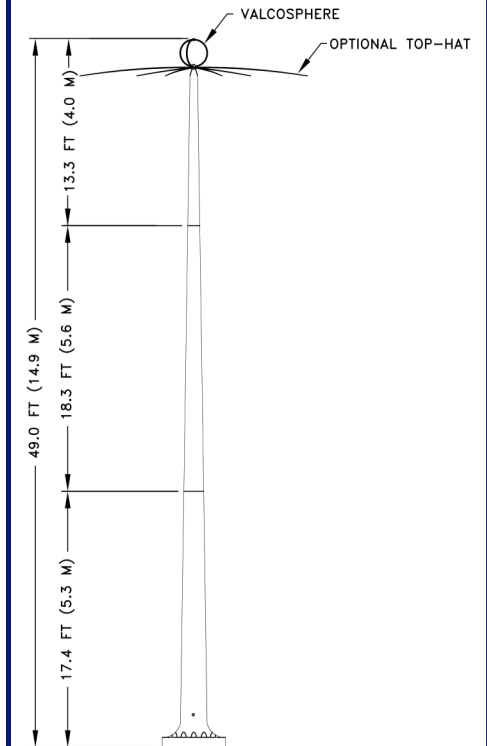
VSWR Not specified

Polarization Vertical

Azimuth Coverage Omnidirectional

Integral Base / Insulator Epoxy Fiberglass

The V-147-CL2-TH is a coil-loaded MF fiberglass whip antenna built for marine, industrial, and TIS use. It delivers reliable, low-maintenance performance in harsh conditions and suits permanent or semi-permanent setups.



IDEAL FOR:

- HF and MF radio systems
- Offshore and coastal environments
- Harsh weather and high-wind conditions
- Traveller Information Systems (TIS)