

HF Vertical Dipole Antenna

The VAS-2030 HF Vertical Dipole Antenna offers reliable broadband coverage in the 20-30 MHz range, designed for naval and shipboard communications. Built to withstand harsh environments, this antenna provides high power handling and minimal maintenance.



BROADBAND COVERAGE

Operates from 20 MHz to 30 MHz with no tuner required



HIGH POWER HANDLING

The antenna can handle 1800 W peak envelope power (PEP) and 1000 W average RF power



WEATHERPROOF CONSTRUCTION

The antenna features durable epoxy fiberglass construction, providing excellent weatherproofing for harsh environments



SHIPBOARD ANTENNAS

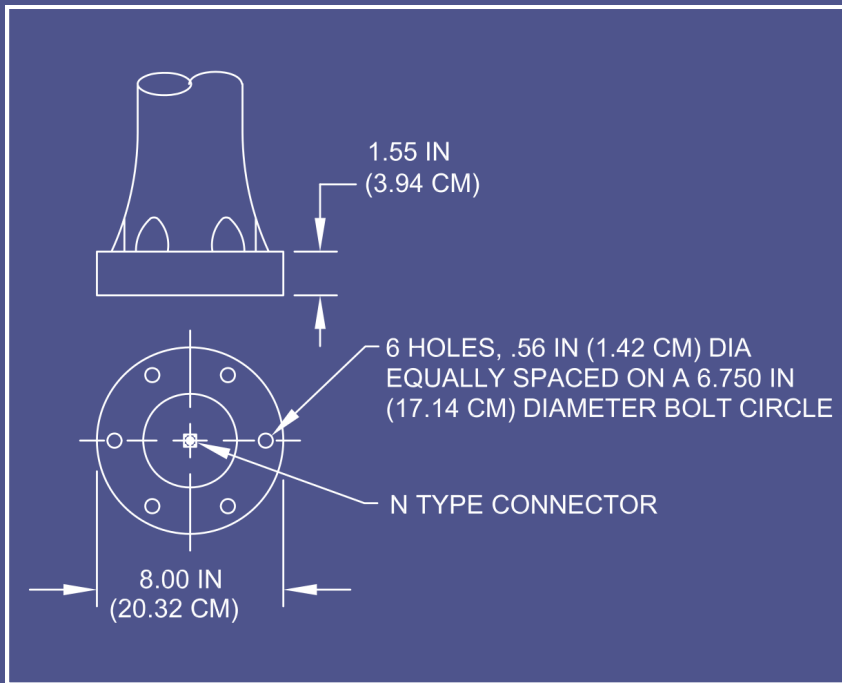
Designed to handle naval conditions



VAS-2030

HF Vertical Dipole Antenna

PN: VAS-2030

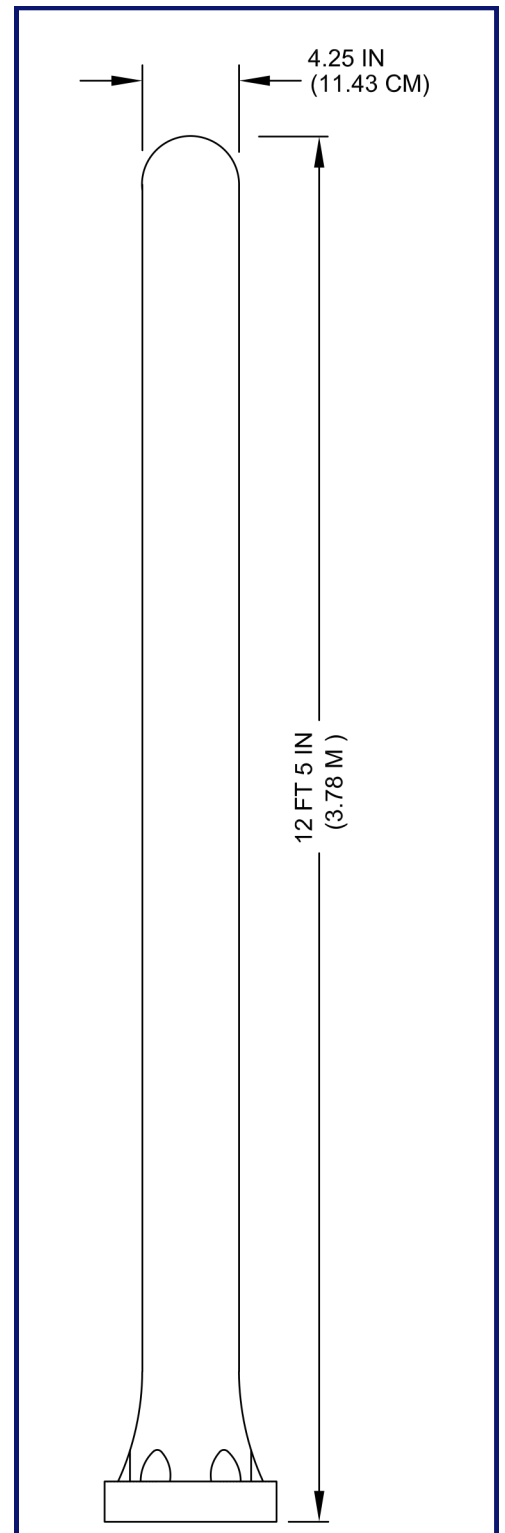


KEY CHARACTERISTICS

VAS-2030

Frequency Range (no tuner)	20 MHz – 30 MHz
Power	1 KW
Height	12.4 ft
Weight	49 lbs
VSWR	< 2.5:1
Polarization	Vertical
Azimuth Coverage	Omnidirectional
Integral Base / Insulator	Epoxy Fiberglass

The VAS-2030 is a rugged, self-supporting vertical dipole antenna, engineered for optimal performance in naval communication systems. It features a durable epoxy fiberglass construction and excels in transmitting and receiving in the 20-30 MHz frequency range.



IDEAL FOR:

- Reliable, low-maintenance antenna systems in demanding conditions
- Naval and shipboard communications
- High-power transmitting and receiving applications