

SATCOM-ON-THE-MOVE

The VSAT-2432 is a rugged, omnidirectional SATCOM antenna designed for on-the-move applications. Covering 240–320 MHz, it delivers reliable connectivity with low-angle performance, perfect for mobile military platforms.



BROADBAND COVERAGE

Operates from 240–320 MHz
with no tuner required



DURABILITY AND RELIABILITY

Weather-resistant and built for
rugged, mobile environments



WEATHERPROOF CONSTRUCTION

Made to withstand harsh weather



SHIPBOARD ANTENNAS

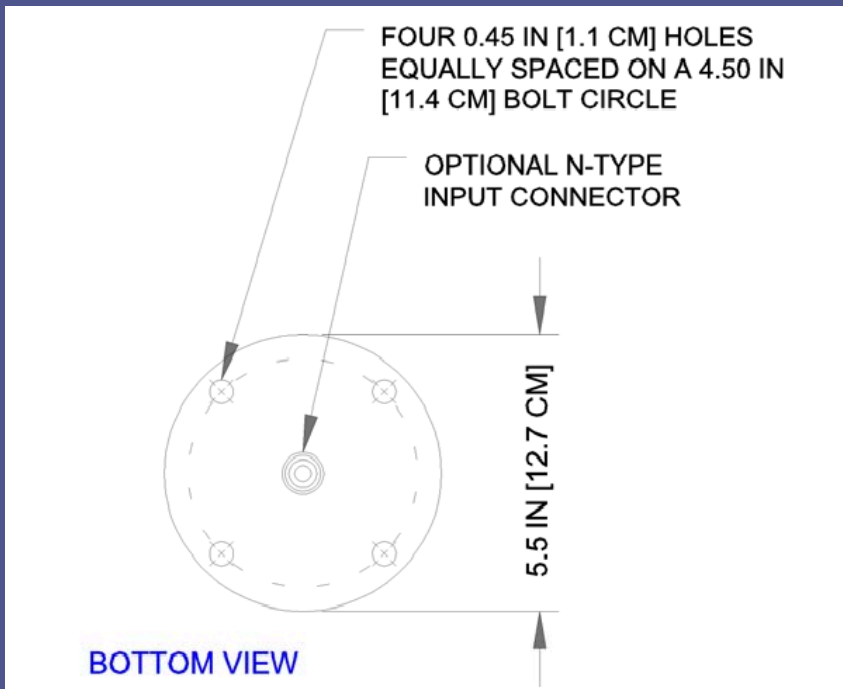
Not ship-rated, but rugged and
adaptable for mobile naval use



VSAT-2432

SATCOM-ON-THE-MOVE

PN: VSAT-2432



KEY CHARACTERISTICS

VSAT-2432

Frequency Range (no tuner) 240 – 320 MHz

Power 0.1 KW

Height 15 in

Weight 5 lbs

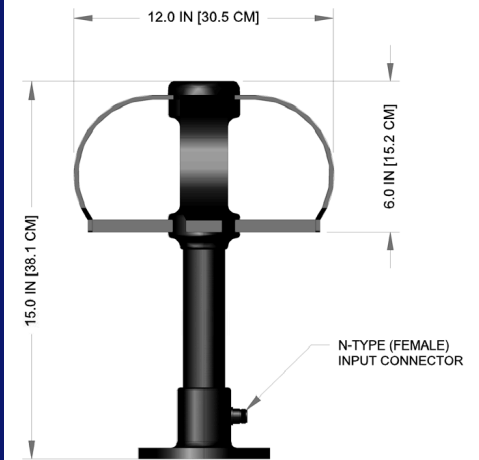
VSWR 1.5:1

Polarization RH Circular

Azimuth Coverage Omnidirectional

Integral Base / Insulator Epoxy Fiberglass

A low-horizon, right-hand circular polarized SATCOM antenna with integrated mounting and optional radome protection—engineered for high-mobility military and vehicular use.



IDEAL FOR:

- Military SATCOM-on-the-move (SOTM)
- Rapid deployment scenarios
- Vehicle-based communication systems