

## UHF Discone Antenna

The Valcom AT-197/GR is a compact, broadband UHF discone antenna, engineered for high-performance signal receiving and omnidirectional transmitting. Ideal for direction-finding (DF) arrays and high-power communications, it features fast assembly, high durability, and versatile mounting options.



### BROADBAND COVERAGE

Operates from 255 MHz to 400 MHz with no tuner required



### HIGH POWER HANDLING

Handles up to 1 kW average RF power



### WEATHERPROOF CONSTRUCTION

Built for durability, the AT-197/GR offers rugged construction and weather-resistant performance in harsh environments



### FLEXIBLE INSTALLATION

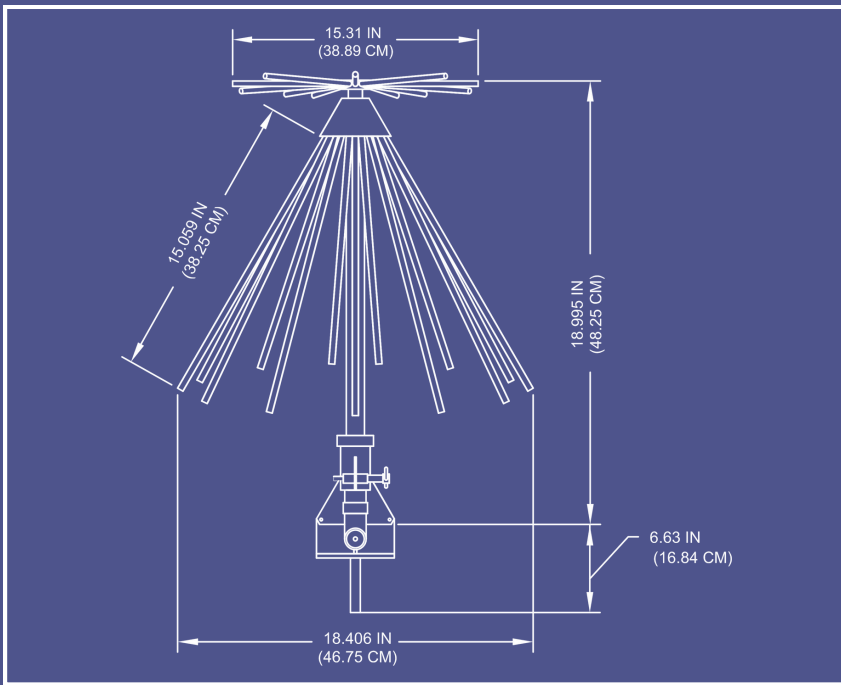
Compact and ruggedized for use in military, vehicular, and fixed installations, including potential shipboard use



**AT-197/GR**

UHF Discone Antenna

PN: AT-197/GR



## KEY CHARACTERISTICS

### AT-197/GR

Frequency Range (no tuner)	255 MHz – 400 MHz
Power	1 KW
Height	18.81 in
Weight	8 lbs
VSWR	< 2:1
Polarization	Vertical
Azimuth Coverage	Omnidirectional
Integral Base / Insulator	Not specified

*The AT-197/GR Discone Antenna is a rugged, broadband UHF antenna optimized for military, vehicular, and stationary communications. Its omnidirectional design ensures reliable performance across varied environments, while its light-weight, modular structure allows rapid deployment and transport.*



### IDEAL FOR:

- Military Communications
- Vehicular Antenna Systems
- Shipboard and Naval Use
- Direction Finding (DF) Arrays
- Signal Monitoring & Receiving Stations
- Emergency Response and Field Deployments