

29-Foot Whip Antenna

The V-252 29-foot whip antenna offers broadband coverage from 1.6-30 MHz, ideal for small coastal patrol vessels and medium power applications. It combines reliability, durability, and lightweight, high-strength performance for less harsh environments.



BROADBAND COVERAGE

Operates from 1.6 MHz to 30 MHz with no tuner required



DURABILITY AND RELIABILITY

The antenna is built for mild environments, withstanding wind speeds up to 150 MPH and ice loads of 0.75 inches at 100 MPH



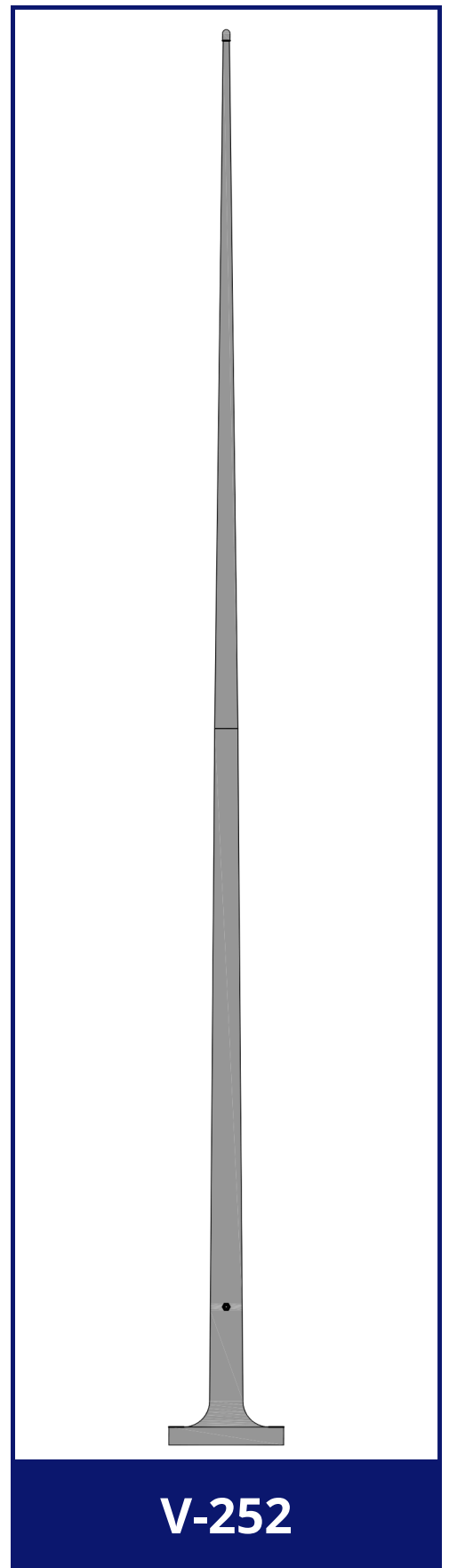
WEATHERPROOF CONSTRUCTION

The antenna features epoxy polyamide paint and is constructed with filament wound epoxy/glass for weatherproofing



SHIPBOARD ANTENNAS

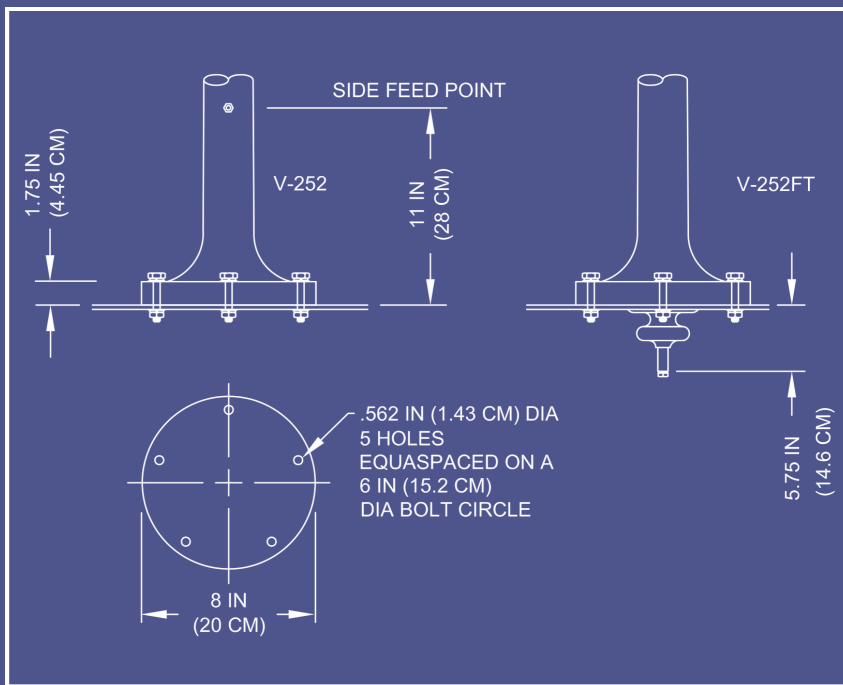
It is ideal for small coastal patrol vessels and other light-duty applications



V-252

29-Foot Whip Antenna

PN: V-252



KEY CHARACTERISTICS

V-252

Frequency Range (no tuner)

1.6 MHz – 30 MHz

Power

2 KW

Height

29 ft

Weight

29 lbs

VSWR

Not specified

Polarization

Vertical

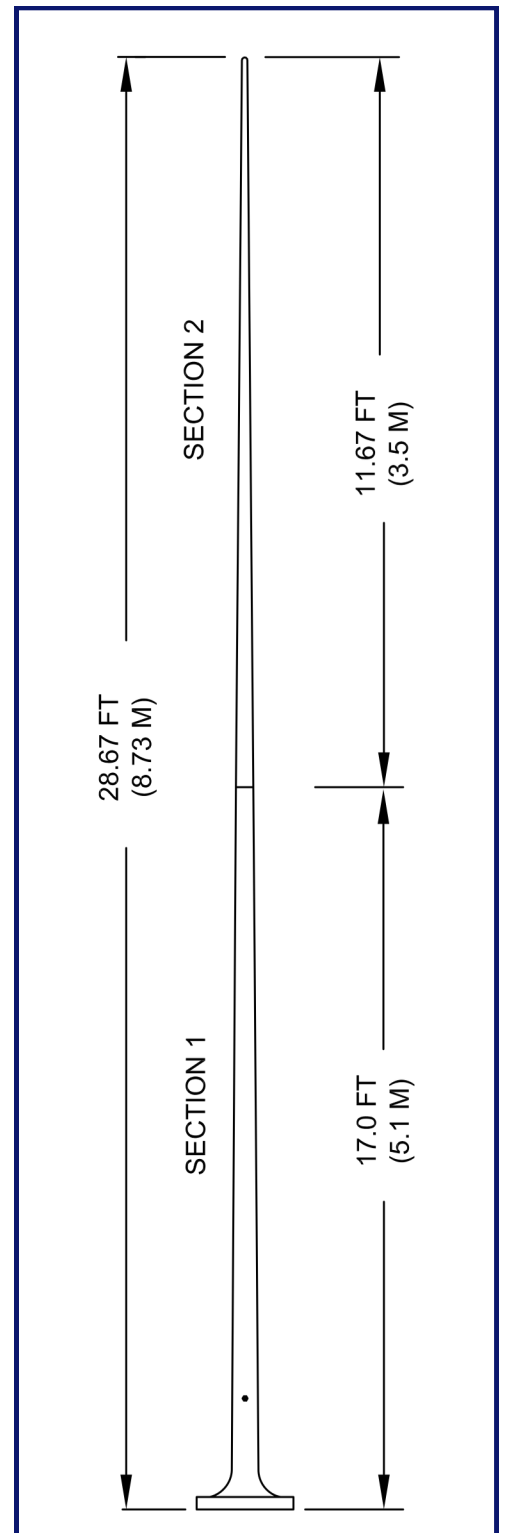
Azimuth Coverage

Omnidirectional

Integral Base / Insulator

Epoxy
Fiberglass

The V-252 is a versatile, 29-foot whip antenna designed for general-purpose use in receiving and transmitting systems. It provides omnidirectional coverage and is built with durable epoxy and glass materials, ensuring reliable performance in medium power applications.



IDEAL FOR:

- Small coastal patrol vessels
- Medium power transmitting and receiving applications
- General-purpose communication systems requiring a durable, lightweight antenna