

Wide Spectrum Multi-Band Antenna

The VECM-2200 is a versatile wide-spectrum vehicular whip antenna designed for HF and VHF communications, providing high power handling and rugged reliability for demanding environments.



BROADBAND COVERAGE

Operates from 20 MHz to 200 MHz with no tuner required



DURABILITY AND RELIABILITY

Designed for durability and reliability in demanding conditions



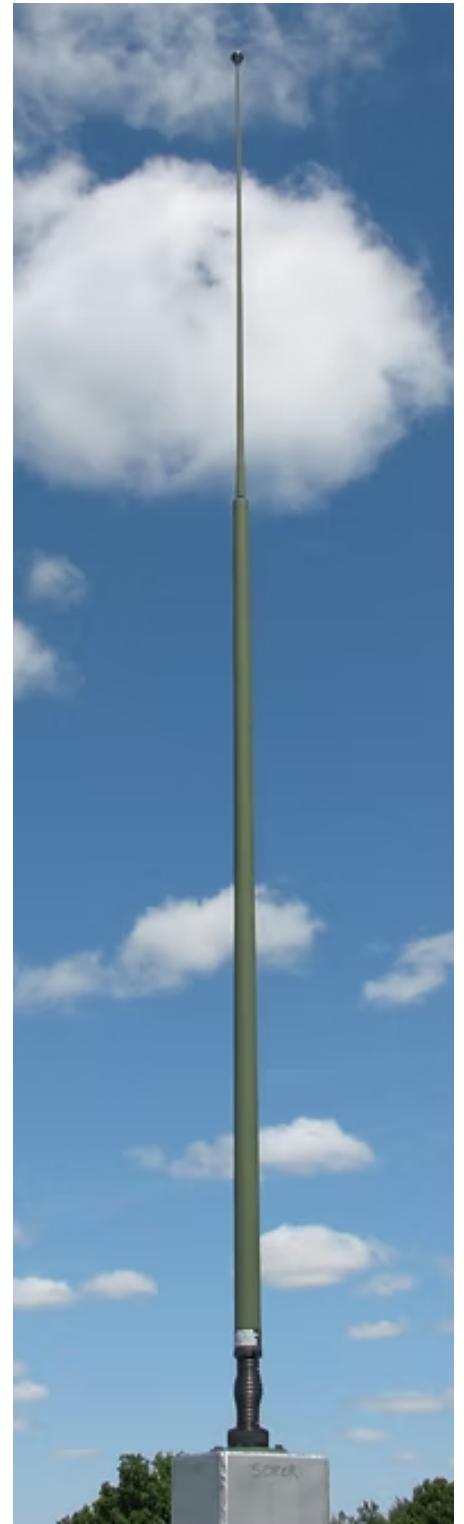
LIGHTNING PROTECTION

Upper whip provides 10kV isolation for safety



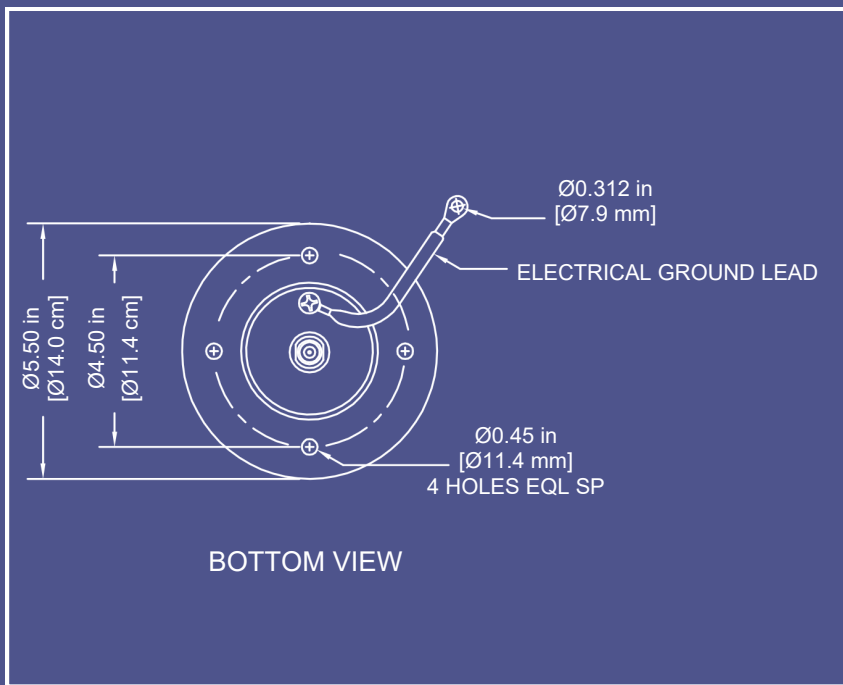
SHIPBOARD ANTENNAS

Suitable for vehicular and shipboard applications due to rugged design



VECM-2200

Wide Spectrum Multi-Band Antenna

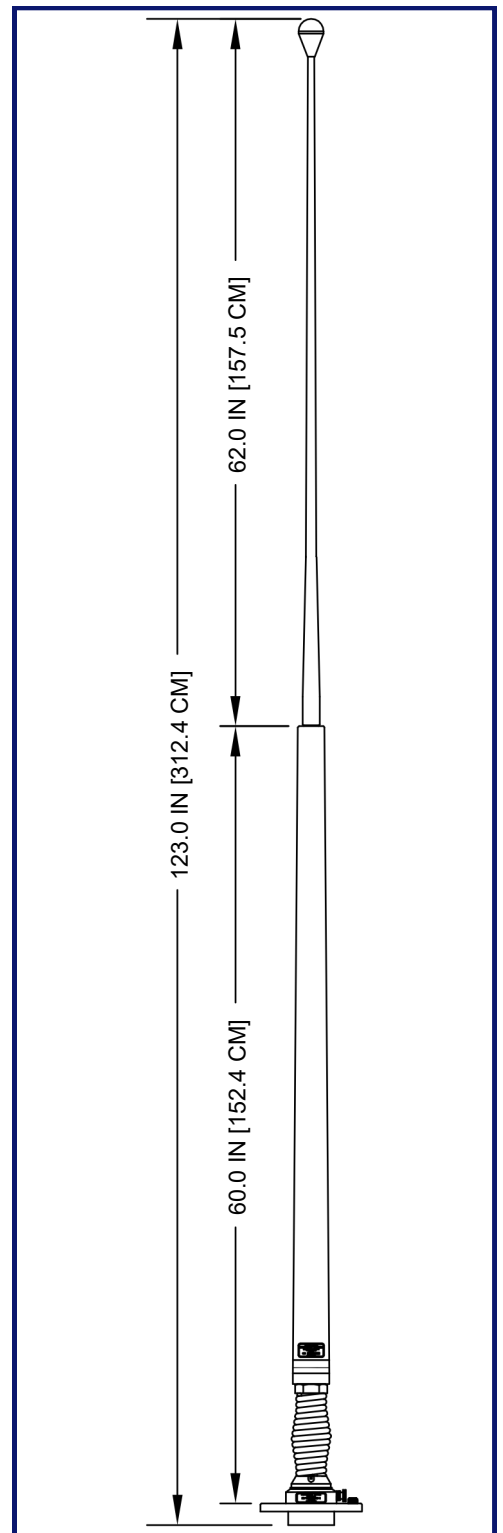


KEY CHARACTERISTICS

VECM-2200

Frequency Range (no tuner)	20 MHz – 200 MHz
Power	0.1 KW
Height	123 in
Weight	13 lbs
VSWR	3.5:1
Polarization	Vertical
Azimuth Coverage	Omnidirectional
Integral Base / Insulator	Not specified

A two-piece fiberglass whip antenna with integral matching networks, delivering broadband performance, ease of assembly, and safety in all operational conditions.



IDEAL FOR:

- HF and VHF communications
- Electronic countermeasure systems
- Replacing multiple antennas with a single unit
- Vehicular and shipboard installations