

## Naval Antenna

The VWI-FI-N is a rugged naval antenna designed for reliable Wi-Fi uplinks and downlinks in base station and shipboard applications. With wideband coverage, weatherproof construction, and simple installation, it ensures dependable performance in the most demanding environments.



### BROADBAND COVERAGE

Operates from 2200 MHz to 2700 MHz with no tuner required



### DURABILITY AND RELIABILITY

MIL-STD environmental standards (vibration, shock, humidity, solar radiation, salt fog, blowing rain, wind velocity up to 125 mph)



### TRANSMIT AND RECEIVE

Dipole-style antenna supporting both transmit and receive functions for Wi-Fi base station applications



### SHIPBOARD ANTENNAS

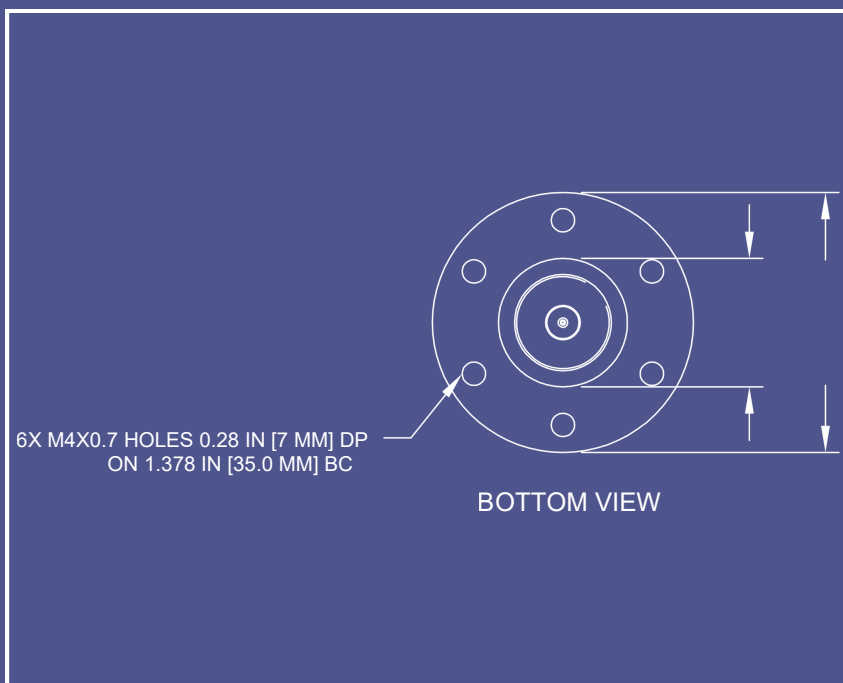
Naval application-specific; designed for reliable uplinks/downlinks in maritime environments.



## VWI-FI-N

Naval Antenna

PN: VC-18-00012-1



## KEY CHARACTERISTICS

### VWI-FI-N

Frequency Range (no tuner) 2200 MHz - 2700MHz

Power 0.025 KW

Height 6 in

Weight 0.4 lbs

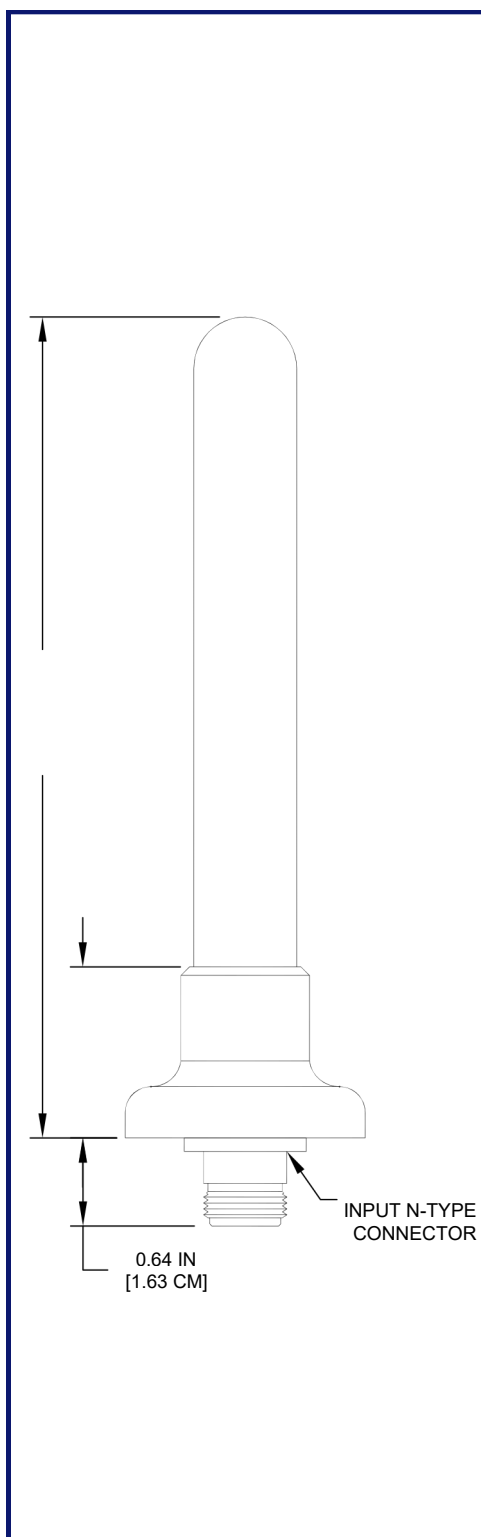
VSWR < 2.0:1

Polarization Vertical

Azimuth Coverage Omnidirectional

Integral Base / Insulator Not specified

*This dipole-style naval antenna is built for durability and efficiency, providing seamless transmit and receive capabilities. Its lightweight, weatherproof, and ground plane-independent design makes it ideal for both commercial and defense maritime communication systems.*



## IDEAL FOR:

- Base station Wi-Fi uplinks and downlinks
- Naval shipboard communication systems
- Applications needing lightweight, simple installation antennas