

## UHF/SHF Antenna

The VWB-56000 is a broadband UHF/SHF dipole-style antenna engineered for reliable communication in demanding military, shipboard, and tactical environments. With wide frequency coverage, rugged construction, and easy installation, it delivers superior performance for modern agile radios and communication systems.



### BROADBAND COVERAGE

Operates from 500 MHz to 6 GHz with no tuner required



### DURABILITY AND RELIABILITY

Designed for rugged, reliable field use with fiberglass sealed dipole construction and a compact, robust antenna housing



### WEATHERPROOF CONSTRUCTION

The fiberglass sealed design with a built-in mounting spring provides strong weather protection and durability in tough conditions



### VEHICULAR APPLICATIONS

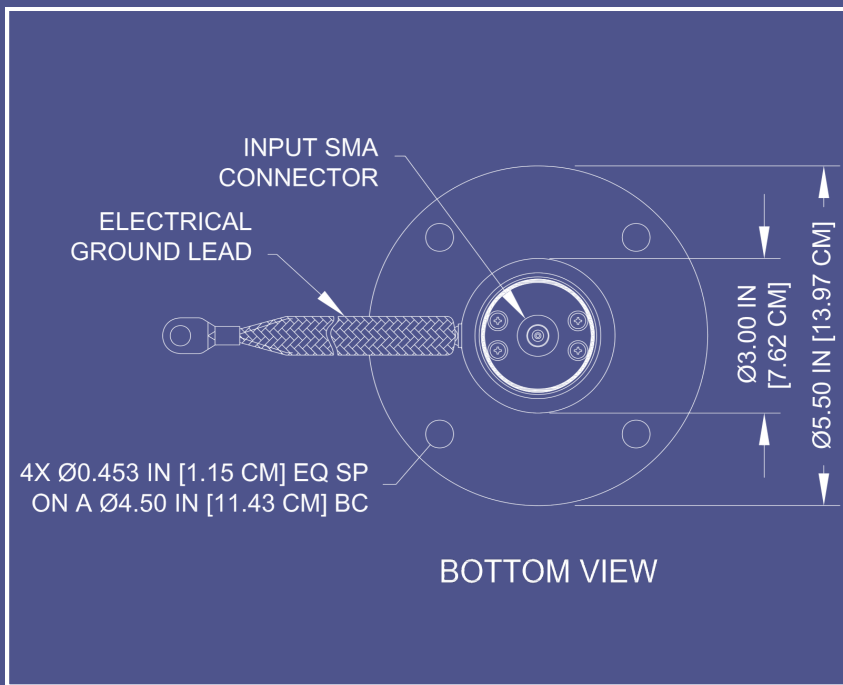
The antenna's compact design and omnidirectional radiation pattern make it suitable for shipboard, vehicular, and ground-based applications



**VWB-56000**

UHF/SHF Antenna

*PN: VWB-56000*

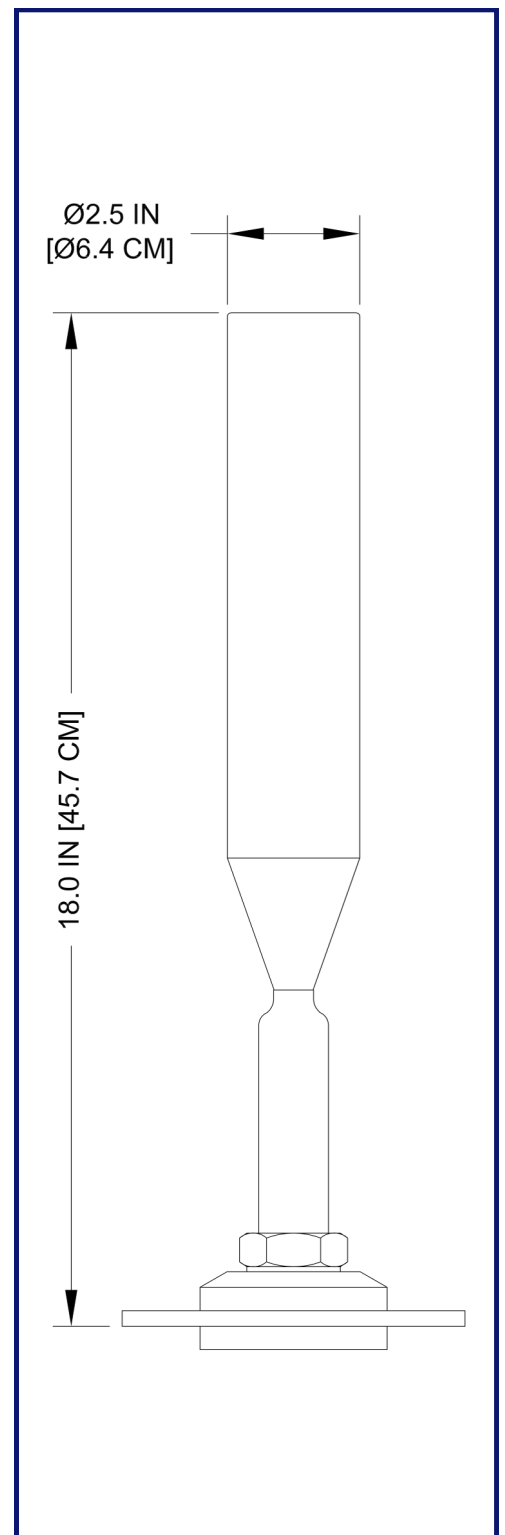


## KEY CHARACTERISTICS

### VWB-56000

|                            |                    |
|----------------------------|--------------------|
| Frequency Range (no tuner) | 500 MHz – 6000 MHz |
| Power                      | 0.1 KW             |
| Height                     | 18 in              |
| Weight                     | 2.5 lbs            |
| VSWR                       | ≤ 2.5:1            |
| Polarization               | Vertical           |
| Azimuth Coverage           | Omnidirectional    |
| Integral Base / Insulator  | Not specified      |

*Built for versatility and reliability, the VWB-56000 combines wideband coverage with rugged durability and high-power handling, making it an ideal solution for mission-critical communications on land, sea, or mobile platforms.*



### IDEAL FOR:

- Military and defense communications
- Tactical and vehicular radio systems
- Wideband transmission and reception environments
- Mobile command posts